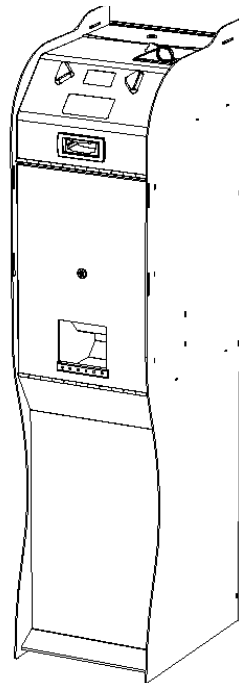


 SUZOHAPP

Twin Jolly PRO

Change machine

EN



 Comestero

Operating manual

GUIDE TO THE SYMBOLS IN THE MANUAL

The following symbols are used in this manual to facilitate its understanding.



Important information



Read carefully before use



Warning!

DECLARATION  OF CONFORMITY

THE MANUFACTURER: SUZOHAPP
Antonie Van Leeuwenhoekstraat 9
3261 Oud-Beijerland LT NL

DECLARES:

That the product:

TYPE: Change machine
BRAND: Comestero
MODEL: Twin Jolly PRO

Complies with the following European directives, including their latest changes, and with the relative national laws applying such directives:

2004/108/CE
2006/95/CE

And that the following harmonized standards have been applied:

EN 55014-1
EN 61014-2
EN61000-3-2
EN61000-3-3
EN62233
EN 60335-2-82

SAFETY INFORMATION

This machine is equipped with safety devices to prevent damage due to short circuits and fire.



These devices must not be bypassed, removed or disabled for any reason.

If the devices must be disabled to carry out maintenance or servicing, operate on the appliance only when the power supply has been switched OFF.



The safety devices have been constructed in compliance with existing regulations.
We recommend the operator to periodically check their correct operation.

Risks deriving from using the machine

The machine is exclusively for indoor use.

If maintained in good operating conditions and installed correctly (according to the instructions of this manual), the machine does not pose any danger for the operator. The personnel loading the dispensers and turning on the machine after maintenance must take into account that: all moving parts, doors and cash boxes can cause injuries of varying severity, if operated inappropriately; it is a good practice to switch off the power supply for any operation carried out when the machine is open (maintenance, etc.).

EN



Electrical hazards: Direct contacts during connection to the main power supply. Operations carried out by a **qualified technician**.



Crushing hazards due to moving parts in the machine.
The machine must be opened and closed slowly and carefully.

Hazards during machine installation and setup

Follow the machine installation instructions below (section 5) so that risks for people and property are minimal.



Crushing hazards during handling and positioning of the machine.
Transport of the machine must be carried out by a **qualified technician** for moving loads (forklift operator, etc.).

Caution:

- Use suitable lifting machines and harnesses
- Carry out operations in an area free from obstacles and people

- Before lifting, always ensure that the load is stable and carry out all movements carefully, avoiding any oscillation



Electrical hazards: direct contacts during connection to the main power supply. Operations carried out by a **qualified technician**.

Caution:

- Make sure that the distribution line is sized according to the power supply used by the machine.
- Connect the system to ground before connecting the machine and the accessories.

Hazards during machine maintenance



Electrical hazards: direct contact with live parts within the electrical cabinet. Operations carried out by a **qualified technician**.

Caution:

- Service the machine only after the main power supply has been switched OFF.

Labels

The machine is equipped with warning labels located near dangerous areas, showing conventional hazard signs with symbols and/or written messages.



GENERAL HAZARD



ELECTRICAL SHOCK HAZARD



GROUND

GENERAL WARRANTY

Please read the following carefully in order to understand the general warranty conditions for this product.

ART. 1 - Scope of application

These general terms and conditions shall apply to all the goods and services provided by our company. Placed orders shall imply the full and unconditional acceptance of these general terms and conditions of sale. The contract of sale shall be considered perfected when the Purchaser receives the order confirmation from the Seller.

ART. 2 - Electromagnetic compatibility and safety

Our company certifies that the supplied goods comply with the standards concerning electromagnetic compatibility and safety; mandatory declarations are indicated in detail in the plates and labels affixed on the products and in the technical documentation attached or available at our premises. The recipients of the supply undertake to use or market the supplied goods, ensuring the integrity, completeness and usability of such information.

ART. 3 – Warranty

Except in cases where the mandatory provisions in Leg. Decree No. 206/2005 (“Consumer Code”) or in other relevant laws are to be applied, the goods and services are supplied under warranty by our company for a period of 12 months. This period starts from the date of purchase of the product. The warranty is exclusively limited to the normal operation of the goods supplied and to the result of the service provided. The warranty exclusively involves the repairs or replacement of the goods. Restoration of the goods to their normal operative state shall be carried out in our factory. Although not provided for here, Art. 1512 CC is also applicable in terms of revocation and limitation.

Our company shall not be liable in any way for operation of goods supplied in environmental conditions or technical conditions other than those established by our specifications, usually set out in the technical documentation. Any liability for direct or indirect damage not deriving from a malfunction is expressly excluded.

The warranty is void and null if the purchaser is insolvent in paying the established price.

The warranty does not apply in the following cases:

1. lack of or improper maintenance, even if carried out by qualified personnel;
2. repairs or alterations made by the purchaser on his unilateral initiative;
3. inadequate or irregular voltage in the power lines, insufficient flow rate and abnormal electrical systems;
4. corrosive action of detergents;

5. poor or non-functioning software or hardware or loss of data recorded by the purchaser as a result of storms, lightning, high temperature or voltage variations of the electric current, earthquakes, fire, etc.;
6. with reference to all the electrical components and mechanical plastic moving parts subject to normal wear, which must be replaced during routine maintenance;
7. where the products have been used in conjunction with or incorporated into equipment or materials whose specifications have not been approved in writing by the selling company;
8. tampering with the label showing the serial number of the machine;
9. fault or breakage due to transport, acts of vandalism, natural calamities or wilful damage;
10. wrong or bad installation of the product;
11. carelessness, negligence or lack of skill in using the product;
12. failure to comply with the operating instructions in the technical manual;
13. interventions for alleged defects or casual checks;
14. repairs carried out without our authorization.

Malfunctioning of the machine due to the software not being upgraded is not considered a defect. SUZOHAPP is not obliged in any way to upgrade the software free of charge or upgrade the mechanical components which may be necessary due to new coins or banknotes being introduced by the Italian and European authorities, when repairing a product that is covered by the warranty. However, such upgrades could still be requested from SUZOHAPP and the company is obliged to send a quotation to the customer prior to intervention. Any repair or tampering carried out on the supplied goods by subjects who are not authorized by us will render the warranty null and void.

We declare to have carefully considered, to the best of our knowledge and manufacturing practices, the issue related to preventing the goods supplied from being violated by persons who intentionally intend to alter their operation. However, we shall not assume any liability for illegal conduct or damage that may result from fraudulent use of the goods supplied. All required repairs not covered by the warranty must be paid for and the SUZOHAPP price list shall apply whose updates are regularly communicated.

ART. 4 – Limitation of Liability

Notwithstanding the hypotheses in art. 1229 of the Italian Civil Code and notwithstanding the mandatory provisions of law, for every damage caused directly or indirectly by failures or delays of the Seller or by the purchased products to objects or persons, including but not limited to lost profits and damage to the corporate image, the compensation payable by the Seller shall not exceed, in any case, 10% of the amount paid by the Purchaser for the product that caused the damage.

ART. 5 – Delivery

The goods subject of the supply are considered delivered at the time and in the place they are passed on to the carrier; therefore, our company shall not be held liable for total or partial shortages, damage or delays related to transport. Upon delivery, the recipient must

duly note any errors or damage on the bill of lading. The Purchaser's refusal to accept or collect all or part of the ordered goods does not suspend obligation to pay. The terms of delivery indicated in the order confirmation allow for a grace period of 60 days. Upon delivery, the Purchaser must carry out a complete technical verification of the quality and functionality of the product within eight days. If not, the product shall be considered accepted without reservations or objections by the Purchaser.

ART. 6 - Retention of Title

The supplied goods shall remain the property of our company until full payment of the price has been made. In the event of termination of the contract for non-payment, the Seller is entitled to claim the unpaid items held by the Purchaser, which must be returned at the Purchaser's expense. All sums already paid will be retained by the seller as compensation and penalty.

ART. 7 – Terms of payment

Invoices must be paid in accordance with the agreements and within the deadline specified on the invoice. Any delay in payment will automatically result, without the need of formal notice, the application of interest at the rate stipulated in Legislative Decree no. 231 of 9.10.2002, unless agreed otherwise. If the purchaser delays, each benefit in the terms and conditions that may have been granted shall be deemed null and void and the seller may demand immediate payment of all outstanding amounts as well as of additional orders on receipt of the goods.

ART. 8 – Returns

Return of faulty goods or of goods requiring our assistance must be expressly authorised by us. Therefore, we reserve the right to reject the return or ask you to return the good to another destination other than our headquarters. We shall be liable for the goods only when it will be delivered to the indicated address.

ART. 9 - Applicable law and court of jurisdiction

The supplies regulated by these general terms and conditions are governed by Italian law. Any dispute shall be resolved by the Court of Milan.

Dear customer,

Thank you for choosing a SUZOHAPP product; by following the instructions of this manual carefully you will be able to appreciate and be satisfied by its quality.

Please read the operation and maintenance instructions carefully, in compliance with the safety provisions, before using the machine, and store this manual for future reference.

Table of contents

1. Introduction.....	12
2. Product presentation.....	12
3. Warnings.....	13
4. Handling and unpacking.....	13
4.1 Receiving the packaged product.....	13
4.2 Handling.....	13
4.3 Unpacking.....	14
4.4 Identification of the machine and accessories.....	14
4.5 Name of parts.....	16
5. Installation.....	16
5.1 Dimensions.....	16
5.2 Wall mounting.....	17
6. Connections.....	18
7. Starting up the machine.....	19
7.1 Preliminary operations.....	19
7.2 Operation.....	22
8. Programming.....	23
8.1 Preliminary operations.....	23
8.2 Quick maintenance/setup menu.....	23
A. Automatic hopper emptying.....	23
B. Accounting information.....	24
C. Overpay.....	25
8.3 Setup menu.....	25
A. Peripheral status.....	25
B. Import configuration.....	26
C. Coins accepted.....	26
D. Banknotes accepted.....	27
E. Coin setup in the hopper.....	27
F. Setting up the token value.....	28
F.1 Rationale of dispensing.....	29
G. Enabling/disabling the banknote reader.....	30
H. Enabling/disabling the coin mechanism.....	30

I. Language setup	31
I.1 Default language.....	31
I.2 Export language	31
I.3 Import language.....	31
J. Automatic dispensing and mixed dispensing.....	32
K. Reset of default conditions.....	33
L. Automatic hopper emptying	33
M. Date and time setup	33
N. Setup Password	34
O.1 Enabling/disabling the password.....	34
O.2. Change of the password	34
P. Saving configuration onto the SD Card.....	35
8.4 Accounting menu	36
8.5 Information on using the SD Card	38
A. Introduction	38
B. Extracting and inserting the SD Card.....	38
C. Viewing data contained in a SD Card on a Personal Computer	38
D. Importing firmware updates from a PC to the change machine.....	38
9. Bootloader and Firmware Upgrade	39
9.1 How to upgrade Bootloader.....	40
9.2 How to upgrade Firmware	41
10. Care and maintenance	44
10.1 External maintenance and cleaning.....	44
10.2 Internal maintenance and cleaning.....	44
10.3 Inactivity periods	44
11. Diagnostic and technical support	45
12. Technical specifications.....	46
13. Spare parts.....	47
13.1 Twin Jolly PRO general assembly.....	48
13.2 Bonnet group with coin mechanism (Cod. 1044-30-0201-A).....	50
13.3 Display 128x64 group (Cod. 1041-30-0200-A)	51
13.4 Coin mechanism group (Cod. 1041-30-0300-A)	52
13.5 Tray group (Cod. I-30-1044-F).....	53
13.6 Cash door (Cod. I-30-1044B-A)	54
13.7 Cash group (Cod. I-30-1044-G)	55
13.8 Hopper with fixed slide (Cod. I-30-1044-M).....	56
13.9 Silkscreen	57
13.10 Small Parts group (Cod. C6-V-J).....	58
13.11 Wiring group (Cod. 1044-30-0400-A)	59
14. Appendixes	60
14.1 Decommissioning and disposal	60



1. Introduction

This manual and its annexes provide all information needed to install and operate the product and all its parts, as well as some technical information for correct maintenance. The information in this manual can change without notice and is not binding for SUZOHAPP.

The information in this manual has been collected and verified with utmost care; however SUZOHAPP cannot be held liable for any claim deriving from using the manual. When not specified otherwise, all references to companies, names, contacts and addresses used in the examples are purely fictional and have the aim of illustrating the operation of the product.

It is prohibited to reproduce this document, even partially, in any form without express authorization by Comestero.

When you want to learn more about how to use the product, or you are unsure how your device should function, see our online support pages at the address eu.suzohapp.com

2. Product presentation

The Twin Jolly PRO change machine has been designed and manufactured so as to adapt to the lack of space often found in public venues. Its small base and reduced width (340 mm) ensure that Twin Jolly PRO is ideal for those who want a simple and versatile change machine, with an appealing look, well suited to be placed between two game machines. Twin Jolly PRO uses the latest generation peripherals, connected via ccTalk protocol, and has been designed taking into consideration ease of use and security. Although it is equipped with double dispensers, enabling to change coins with different denominations, the dispensed coin collection point is 725 mm from the ground, making it easier to use and more ergonomic. The steel cabinet (up to 3 mm of thickness) is divided into four independent compartments, each with its own security lock. The upper compartment includes the electric/electronic part of the change machine as well as all payment devices (a special wall prevents access to the lower compartment containing cash box and hoppers from the technical compartment). The 180° door opening and the placement of components was designed to facilitate maintenance. The central compartment includes both the cash box and the coin dispensing hoppers; the box-style steel closing door has two opposed closing slides that create eight locking points directly on the cabinet body. The

same central compartment also hosts the coin dispensing point, 700 mm from the floor; the coins can be dispensed on the stainless steel plate or in the usual collection cups. In the latter case a special chute ensures that the coins rejected by the coin mechanism are not mixed with the coins dispensed by the change machine, placing them directly into the stainless steel collection tray.

Twin Jolly PRO is equipped with a new electronic board with SD Card to export accounting data and for the useful function of “machine cloning” which allows to export the configuration parameters on other machines.

3. Warnings

EN



Read this manual carefully before installation.

Knowledge of the information and instructions of this manual is fundamental to use the product correctly.

Check upon receipt that the package and the product have not been damaged during transport. Take care with the electrical connections. Faults due to failure to follow the warnings of this publication are not covered by warranty.

Significant situations that need to be followed strictly are signalled by specific symbols in this manual.

4. Handling and unpacking

4.1 Receiving the packaged product

Check upon receipt that the product has not been damaged during transport. If any damage is noticed notify the transporter immediately.

After transport the package must be complete, that is, it must not:

- show dents, signs of shocks, deformation or breakages of the container
- show areas that are wet or signs that would point out to the fact that the casing has been exposed to rain, frost or heat
- show signs of tampering

Check that the content of the package matches the order.

4.2 Handling



To avoid damage to the machine we recommend moving it only within its original package, using suitable handling machines. Take care to follow the handling instructions printed on the box. Since the machine is heavy, we recommend moving Twin Jolly PRO only with automatic or manual trolleys purposely built for moving goods; if this is not

possible, slide the change machine on its base or on a wheeled platform until reaching the desired installation area.

Twin Jolly PRO has four adjustable feet that allow it to be levelled also on uneven surfaces, improving its stability; adjust the height of these devices according to the characteristics of the support area.

We recommend adding a ballast in the lower part of the change machine and to fix the machine to the wall by means of expansion brackets to increase stability and anti-theft security.

After initial inspection, replace the machine in its packaging to transport it to the final installation area.

We recommend:

- not to drag the machine
- not to overturn or lay down the package horizontally during transport and handling
- not to bump the machine
- not to leave the machine (even if still in the package) under weather agents

4.3 Unpacking

After being tested and equipped the machine is delivered within a corrugated carton package which ensures it is protected during transport and handling.

To facilitate loading/unloading the product, also by means of earth moving machines (transpallets), the box sits on an appropriate wooden pallet.



Follow the instructions printed on the box to unpack the machine. Both the carton package and the pallet meet the standards for recycling and disposal (follow current local regulations).

4.4 Identification of the machine and accessories

Figure 1 shows the location of the identification label showing the main operating and identification characteristics of the machine. The serial number printed in the appropriate field is particularly important.

Always mention this number any time you require service, parts, repairs or information relative to the operation of the machine.

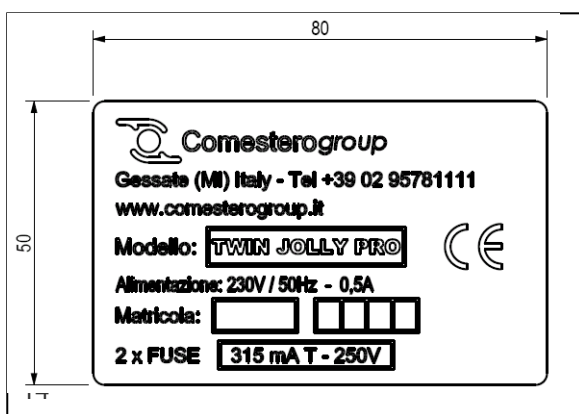


Fig. 1



The machine identification label must always be clearly readable. It is prohibited to remove it or tamper with the data printed in it. If damaged or lost, request a new replacement label from the manufacturer. The label is applied to the machine as shown in Figure 1. Please remember that the warranty is tied to the machine identification number.

The product includes various type of standard accessories.

- **Compartment keys:**

Two keys are provided for each of the two locks of the machine.

We recommend creating two sets of keys and storing spare keys in a safe place other than the place normally used for the service set of keys.

Furthermore, we recommend noting down the serial number engraved on each key so that a duplicate key can be requested to Comestero if the key is lost.

- **Loading funnel:**

It allows to load the hoppers without having to turn OFF the machine and without opening the cash box compartment. In order to load the hopper you need the key opening the upper tray.

4.5 Name of parts

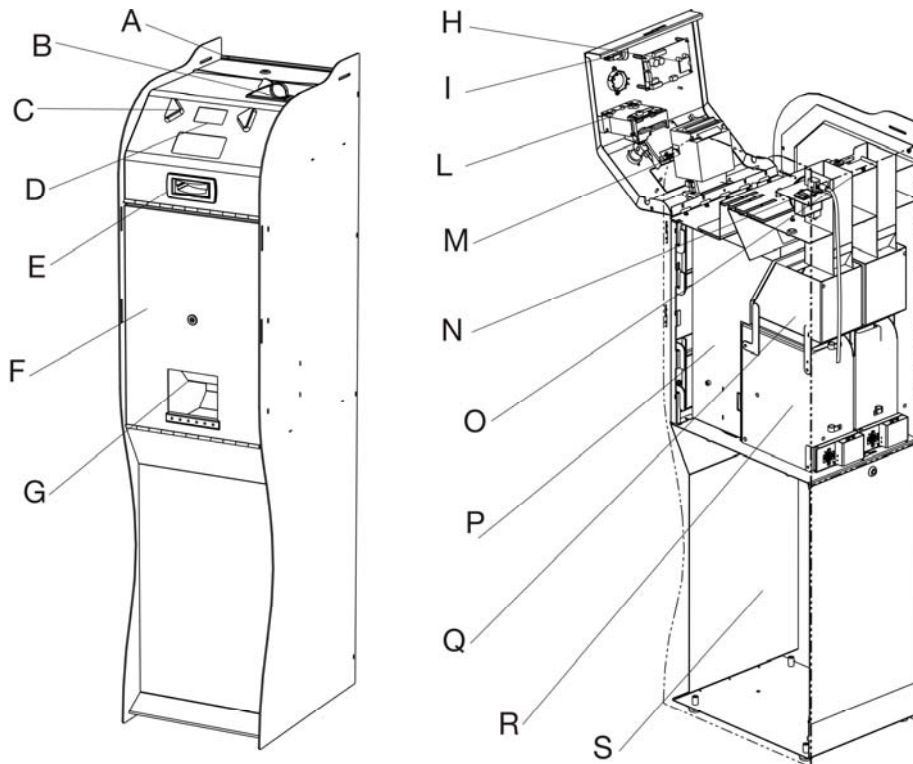


Fig. 2

- | | | | |
|---|-------------------------------|---|---------------------------|
| A | Opening for hopper loading | L | Electronic coin mechanism |
| B | Coin input | M | Banknote reader |
| C | Selection buttons | N | Power ON button |
| D | Display | O | Chutes for hopper loading |
| E | Banknote input | P | Cash box |
| F | Central compartment door | Q | Hopper extensions |
| G | Coin dispensing | R | Hopper(s) |
| H | Electronic board with SD Card | S | Ballast compartment |
| I | Setup button | | |

5. Installation

5.1 Dimensions

The following drawings shows the dimensions of the machine to facilitate its placement and installation.

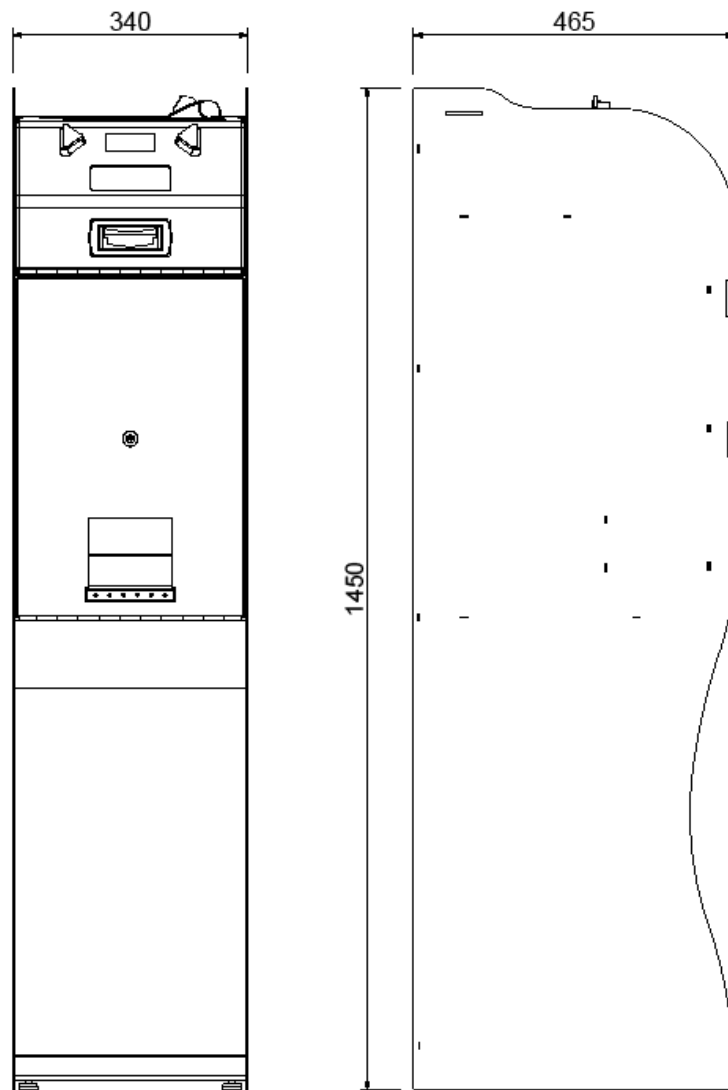


Fig. 3

EN

5.2 Wall mounting

We recommend fixing the machine to the wall by means of expansion brackets.

Twin Jolly PRO has four pre-cut holes on the back of the cabinet, used to mount it to the wall (Fig. 4) and two holes on the base to fix it to the floor (Fig. 5).

Twin Jolly PRO also has four adjustable feet that allow it to be levelled also on uneven surfaces, improving its stability; adjust the height of these devices according to the characteristics of the support area.

We recommend adding a ballast in the lower part of the change machine to increase stability and anti-theft security.

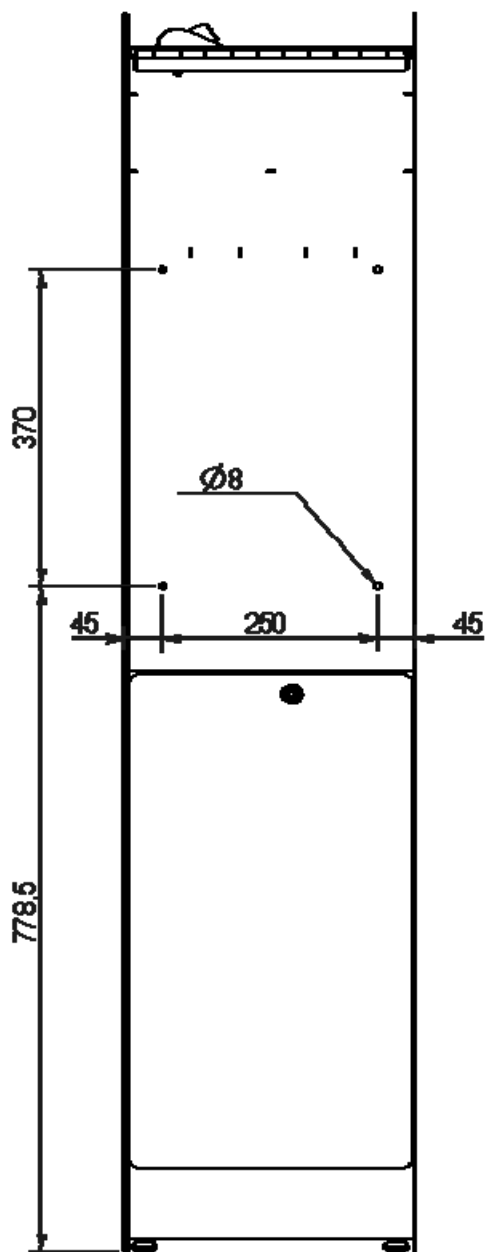


Fig. 4

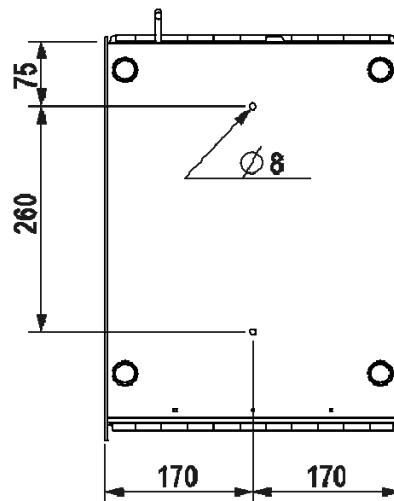


Fig. 5

6. Connections



All electrical connections of the machine are already installed except the power supply. Before connecting to the grid make sure the main switch of the machine, on the front compartment inside the change machine, is in position “0”, OFF, as shown in Fig. 6.



Fig. 6



Check that the power socket to which the machine is going to be connected has an electrical rating suitable to the machine and that it is protected by a residual current device with suitable rating. Plug the machine to the grid by means of the supplied cable (the cable, already plugged to the main switch of the machine, is located in the rear part of the machine).

EN

Refer to the specific regulations on protection from electrical arcing for the installation.

7. Starting up the machine

This machine is delivered from the factory with a standard configuration that can be modified.

7.1 Preliminary operations

Before starting the machine, fill the dispensers (to exit from the EMPTY condition). In this way the various payment systems are enabled and the machine is ready. To fill the hopper, open the top door so that you can access the dispenser and pour the coins in the appropriate compartment.



Fig. 7

If the change machine is equipped with hopper slides that facilitate its extraction (optional), the operation is performed by sliding the hopper from the cabinet; open the cash box door, extract the cash box from the machine, slide the hopper, load it, replace it and close the change machine (Fig. 8).



Fig. 8

Turn ON the change machine with the Power ON button located under the tray (Fig. 6).

NOTE:
The extraction and insertion of the hopper must be carried out when the machine is off to avoid damaging the machine.

The hopper and the cash box are located in the central compartment of the change machine, protected by a safety lock that controls an 8-point locking systems for the cabinet; in order to access the cash box, its door must be opened by 180°. To remove the cash box, slide it along the bottom of the change machine, using the supplied chrome plated handle.



Fig. 9

To insert the cash box again, lift it by the handle, place it on the bottom of the compartment and slide it toward the back of the cabinet until it touches the hopper (Fig. 9).

NOTE:
The back of the cash box must remain under the hopper slide as shown in Fig. 10.

A cash box inserted wrongly could cause a malfunction of the machine (always make sure the cash box is fully against the hopper).



Fig. 10

In a standard configuration the hopper cannot and must not be removed. (sliding the hopper off its slide or tampering with the machine in order to carry out this operation voids the warranty).

If the machine is supplied with an extraction slide (capable of withstanding several thousand cycles of extraction and insertion), proceed as follows after extracting the cash box as shown above.

To extract the hopper, grab it on one of its opening and pull it toward yourself; once you come near the access compartment, grab it on the top of the extension and extract it entirely. To facilitate transport, the hopper extension is equipped with a top hook point (Fig. 11).



Fig. 11

To replace the hopper in its housing, lift it and place it on the bottom of the dispensing compartment, slide it gently on its slide toward the back of the cabinet until it reaches the end; a specific centring and connection system automatically wires the hopper once the correct position has been reached.

NOTE:

Do not try to force the hopper toward the back of the cabinet if you are not sure it is correctly housed on its slide.



The extraction and insertion of the hopper must be carried out strictly when the machine is OFF.

7.2 Operation

Turn ON the change machine with the switch located inside it.

When the machine is on, the display will show the version of the program, which will automatically disappear after few seconds.

The following is the standard operation of the change machine: if settings have been adjusted differently than those set in the factory, the machine could behave differently than what is described below (see the “Programming” section).

Unless otherwise required by the customer upon purchase, the change machine will be programmed and set up as follows:

- Language: Italian/English/Spanish/French
- Table: Value
- Currency: Euro
- Banknote reader type: Innovative Technology NV10
- Reader setup: ccTalk with 5/10/20/50 Euro
- Coin mechanism type: Comestero RM5 HD
- Coin mechanism setup: ccTalk 0.05/0.10/0.20/0.50/1/2 Euro
- Dispenser type: Suzo Evolution

Machine programming:

- Dispenser value (1): 2.00 Euro
- Dispenser value (2): 1.00 Euro
- Max Introduction: 50 Euro
- Remaining credit: YES

This setup enables the change machine to accept banknotes of 5, 10, 20 and 50 Euro and coins (if equipped with coin mechanism) of 0.50, 1 and 2 Euro, changing them into 1 Euro coins.

A user can insert up to 50 Euro into the payment systems (banknote readers and/or coin mechanism); the user must press one of the green buttons on the front plate of the machine to get change on par (that is the value of dispensed coins is equal to the total of cash inserted). Any remaining credit, generated by the fact that an amount has been inserted that

cannot be divided perfectly by the amount of dispensed coins (1€) will be displayed, and then can be reused within one minute; after this period the amount is lost and the change machine display will return to the main screen.

8. Programming

8.1 Preliminary operations

To change the operation settings of the change machine or to access the programming function, press the button (I) inside the upper door.

When the setup button is pressed (I), the operating status of the change machine will pass to setup mode.

All setup operations are performed by means of the selection buttons (C) and the display (D).

Twin Jolly PRO has a quick setup menu (called quick menu) which includes the most common maintenance and configuration functions, as well as a complete menu divided into accounting and setup menu.

Navigation through the quick, accounting and setup menus is by means of the two selection buttons (C) on the front plate of the change machine. Take into consideration that the left button is usually associated to navigation while the right button is used to select/confirm.

8.2 Quick maintenance/setup menu

The quick setup menu includes the most common maintenance setup functions used by the manager. To access the menu, set the change machine in programming mode by pressing the setup button (I) inside the compartment of the change machine.

The display will show the first screen of the quick maintenance and setup menu.



Press one of the two selection buttons to access the menu.

A. Automatic hopper emptying

The first screen of the quick menu is for emptying the hopper.



Select YES to start the automatic hopper emptying procedure, or NO to go to the following screen, relative to emptying hopper 2.

NOTE:
The procedure can be interrupted at any moment during hopper emptying by pressing one of the two buttons again.

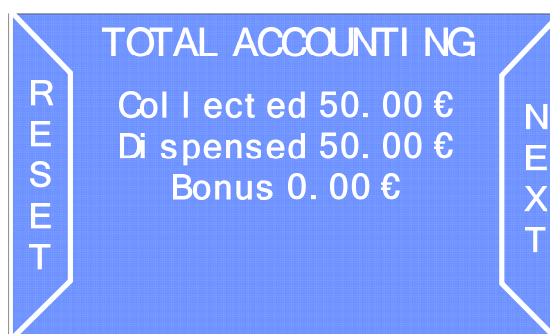
B. Accounting information

The second item of the quick menu is the partial accounting screen, where general information on earnings and dispensing can be viewed.



When RESET is selected, the partial accounting data are cleared, while by selecting NEXT you proceed to the next screen.

The third item of the quick menu is the total accounting data:



Similarly to the partial accounting data, when RESET is selected, the total accounting data are cleared, while selecting NEXT you proceed to the next screen:

At the end of the quick menu the following screen is shown:



Select START to restart with the quick menu, or COMPL to access the complete menu.

EN

C. Overpay

Every time an overpay takes place, that is a failure to change coins, the change machine records the individual event so that all overpays can then be shown in a list; if no overpay took place, the display will show:



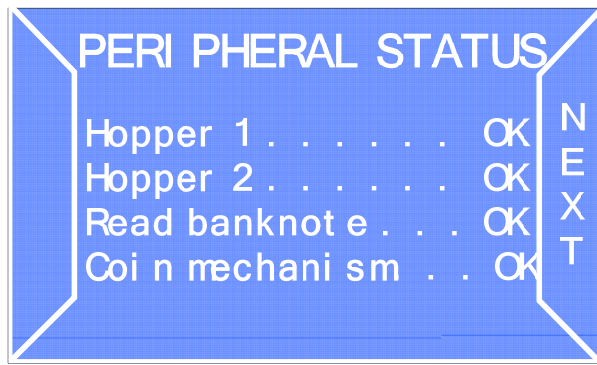
8.3 Setup menu

From the initial screen of the complete menu, select CONFIG to access the setup menu.



A. Peripheral status

The first screen of the complete menu offers a view of the status of all peripherals installed in the change machine. If the peripheral is operating correctly, it will be marked with "OK", otherwise an "Alarm" message will be displayed next to the corresponding peripheral. Select NEXT to move to the next screen.



B. Import configuration

From the “Import configuration” screen it is possible to install the operation settings saved on a SD Card onto the change machine.

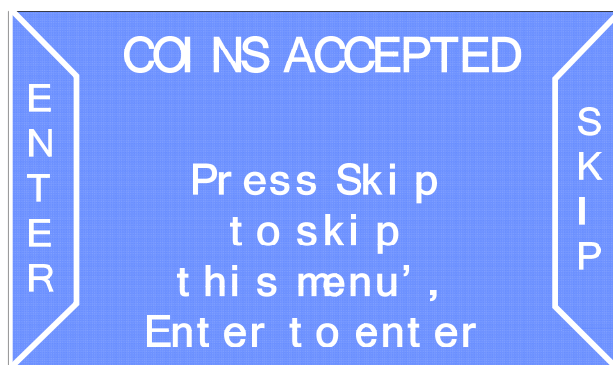


NOTE: This function can be accessed only if a SD Card with configuration data is inserted in the appropriate slot (H).

To import the setup parameters into the change machine select YES, otherwise select NO to move to the next screen without importing data.

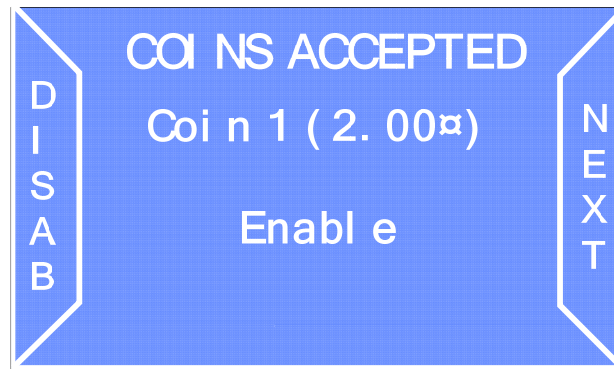
C. Coins accepted

The “Coins accepted” screen enables or disables the types of coins to be accepted by the change machine (if a coin mechanism is installed).



Select SKIP to ignore this menu or ENTER to enter and change the settings.

After entering the sub-menu, the display will show:

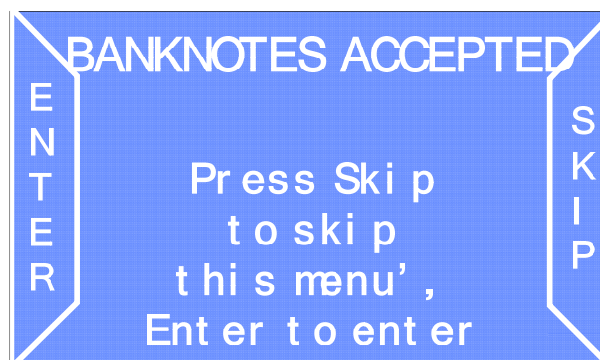


Select ENABLE/DISABLE to enable/disable the acceptance of the corresponding coin, then select NEXT to move to the next coin.

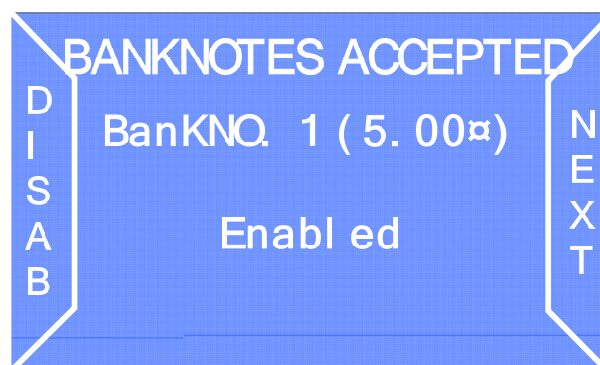
EN

D. Banknotes accepted

In the “banknotes accepted” screen, select SKIP to ignore this menu. ENTER to access the menu to enable and disable the banknote denominations to be accepted by the change machine.

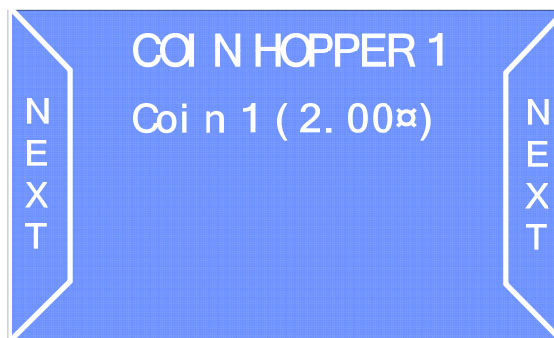


Select ENABLE/DISABLE to enable/disable the acceptance of the corresponding banknote, then select NEXT to move to the next banknote.



E. Coin setup in the hopper

In order for the change machine to operate properly, the type of coins filling the hopper must correspond to the value set in the “Coin hopper” screen.



Press NEXT to access the following menu, or NEXT to move to the next coin.
 If the NEXT button is pressed again after the sixth coin, you can verify the type of value associated to any token inserted in the hopper.



In the example, a value of 3 Euro is assigned to the token.
 This function is valid also for the second hopper (if present).

F. Setting up the token value

To assign a value to the type of token inserted into the hopper, select YES in the following screen.



The display will show:



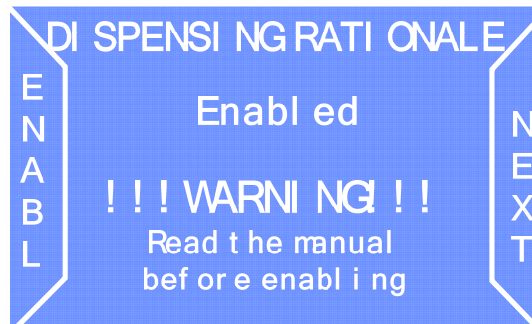
You can set an Euro value for the token by means of the left button (CONTIN) and right button (CHANGE).

A token value can also be entered for the second hopper (if present).

F.1 Rationale of dispensing

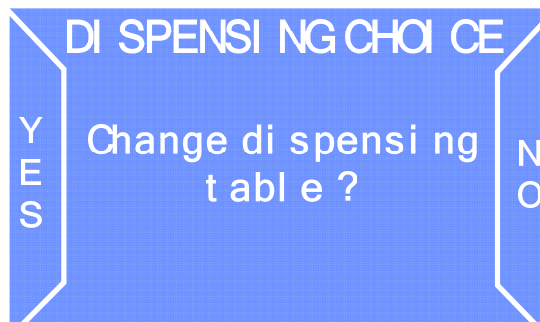
The combination of change dispensed for specific inserted cash values can be set.

Select ENABLE in the DISPENSING RATIONALE screen.



The display will show the following security message, select YES to proceed.

If the dispensing rationale is not changed, the change machine will dispense change according to a criterion of piece parity (only if 2 hoppers are present).



The table of change combinations will be shown:



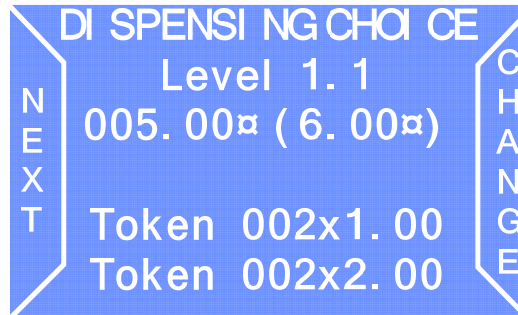
There are 5 intervention levels. Three tables are present for each level, corresponding to the 3 change combinations that the change machine will offer to the end-user.

An inserted value (corresponding to the change value to be dispensed, expressed within brackets) and the combination of dispensed change can be set for each table.

In the following example, when 5 Euro are inserted the change machine will dispense a change combination of two 50 cent coins and two 2 Euro coins.

This function also enables the management of any bonus to be dispensed upon change. When an additional value is entered within brackets, the change machine will dispense the corresponding additional value in tokens.

For example:

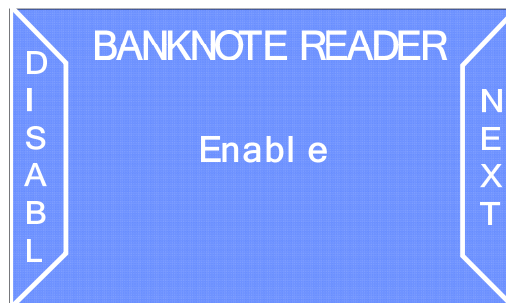


When 5 Euro are inserted, the machine will dispense a change in token equal to 6 Euro; therefore 2 tokens valued 2 Euro each and 2 tokens valued one Euro each, with a bonus of 1 Euro.

We recommend applying the bonus policy only when changing cash into tokens.

G. Enabling/disabling the banknote reader

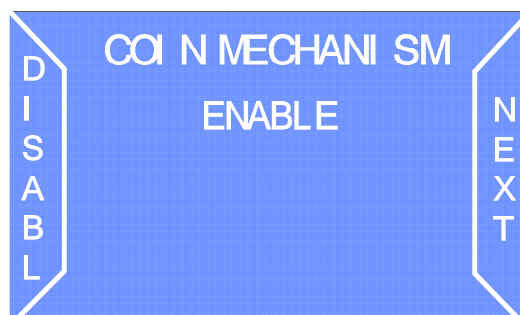
The installed banknote reader may be enabled/disabled by means of the “Banknote reader” screen.



Select NEXT to move to the next menu. Select ENABLE/DISABLE to toggle the status of the reader between enabled and disabled.

H. Enabling/disabling the coin mechanism

The coin mechanism (if installed) may be enabled/disabled by means of the “Coin mechanism” screen.



Select NEXT to move to the next menu. Select ENABLE/DISABLE to toggle the status of the coin mechanism between enabled and disabled.

I. Language setup

The operating parameters relative to the languages managed by the change machine can be set up in the following screens.

I.1 Default language

The default language used by the change machine to communicate with the end-user and the maintenance operator can be chosen in this screen. It is possible to choose from four languages.



Select NEXT to move to the next menu. Select CHANGE to change language.

I.2 Export language

The language pack included in a change machine of the “PRO” series can be imported into a change machine of the same series and model by means of the included SD Card using this screen. The language pack will be written on the onboard SD Card.

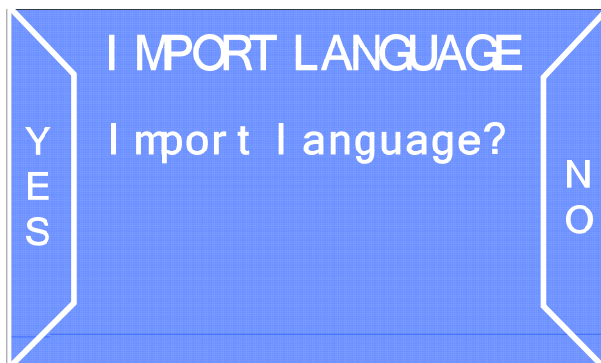


Select NO to move to the next menu. Select YES to export the language pack onto the onboard SD Card.

I.3 Import language

The language pack included in a change machine of the “PRO” series can be exported into a change machine of the same series and model by means of the included SD Card using this screen. The language pack will be downloaded onto the SD Card from the CPU of the change machine.





Select NO to move to the next menu. Select YES to import the language pack from the onboard SD Card onto the CPU.

J. Automatic dispensing and mixed dispensing

Automatic dispensing is the automatic dispensing of change when a banknote is inserted, without the need to press any button.



Select NEXT to move to the next menu. Select ENABLE/DISABLE to toggle the status of the automatic dispensing between enabled and disabled.

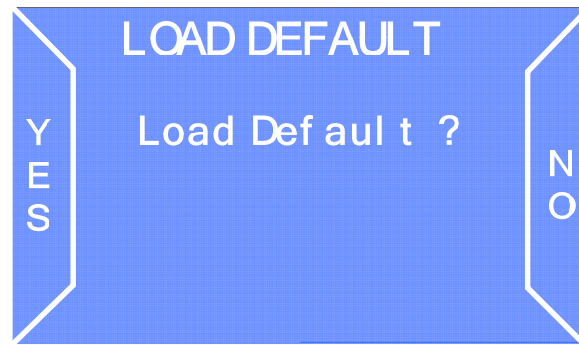
Mixed dispensing is the mixed dispensing of coins contained in hopper 1 and hopper 2. For example, supposing we want to change 10 Euro with a mixed dispensing, the change machine will dispense three 2 Euro coins and four 1 Euro coins.



Select NEXT to move to the next menu. Select ENABLE/DISABLE to toggle the status of the mixed dispensing between enabled and disabled.

K. Reset of default conditions

The factory settings can be reset (default) by means of the “Load default” screen.



Select NO in order not to reset the default settings and to move to the next menu. Select YES to reset the default settings and move to the next menu.

L. Automatic hopper emptying

The hopper can be automatically emptied by means of the Empty hopper screen.



Select YES to start the automatic hopper emptying procedure, or NO to go to the following screen.

NOTE :
The procedure can be interrupted at any moment during hopper emptying by pressing the button again.

M. Date and time setup

The date and time can be set up by means of the “Date and time” screen.



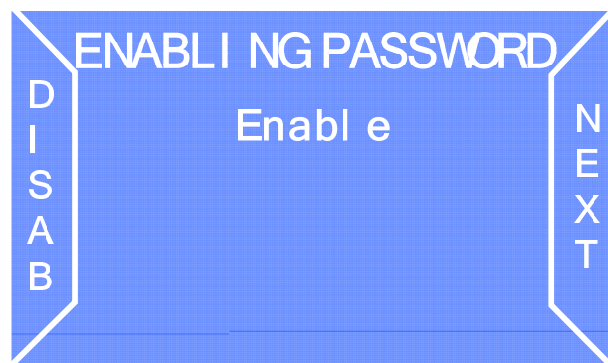
Select NEXT to move to the next menu, CHANGE to increase the digits.

N. Setup Password

The operating parameters relative to the password protecting the access to setup and maintenance menus can be set up in the following screen.

O.1 Enabling/disabling the password

From the “Enable password” screen you can enable/disable the password request to access the setup and accounting menus.



Select NEXT to move to the next menu, ENABLE/DISABLE to toggle the status between enabled and disabled.

O.2. Change of the password

The password can be changed from the Change password screen:



Select NO to move to the next menu. YES to change the password.

If you want to change the password, the old password must be entered first, or the **default password (1111) must be entered** if the password was never changed before. The display will show:



Select CONTIN to move the cursor from one digit to the other, select CHANGE to increase the selected digit. The new password is then requested:

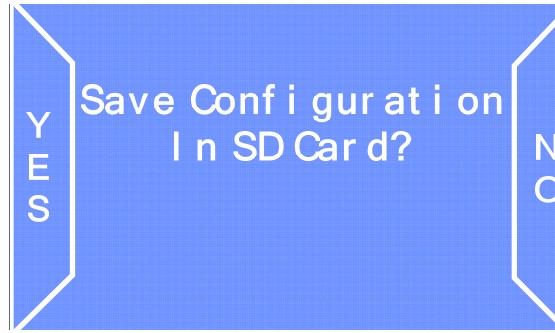


Select CONTIN to move the cursor from one digit to the other, select CHANGE to increase the selected digit. Finally keep pressed to confirm and move to the next screen.

P. Saving configuration onto the SD Card

All modifications of the configuration parameters can be saved onto the SD Card.

When the configuration operations have ended, the display will show the following screen:



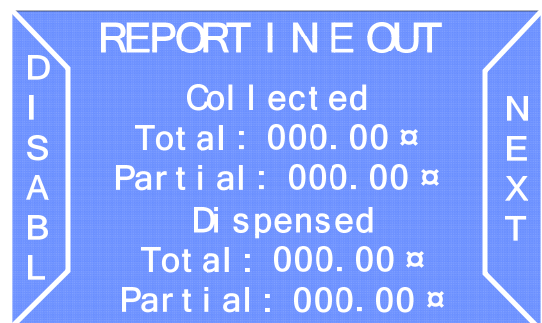
Selecting NO the setup will not be saved and you will exit from the menu, while selecting YES the setup will be saved onto the onboard SD Card.

8.4 Accounting menu

Information on accounting data can be viewed, in terms of money collected and money dispensed, by means of the accounting menu. Accounting is divided into partial accounting and total accounting. From the complete menu select ACCOUN to access the accounting menu.



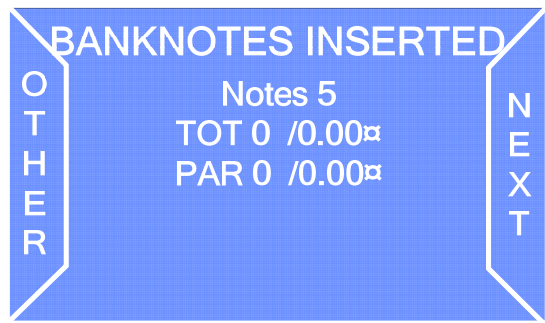
The display will show the first accounting screen, which shows a list of partial and total accounting data for incoming and outgoing money.



Select NEXT to see the accounting data relative to Bonuses.



Select NEXT to move to the next screen, relative to the detailed accounting of coins inserted.



Select NEXT to move to the next screen relative to the dispensed coins; select OTHER to see the detailed accounting for other coins denominations.



Select NEXT to move to the next screen, select OTHER to see the detailed accounting for other types of coins that has been dispensed.



The accounting data stored can be reset in the “Reset log” screen. Select one of the following functions with SELECT.

Reset partial: to reset partial accounting data.

Reset total: to reset total accounting data.

Exit: to move to the next screen.



Then select EXEC to confirm the selected function.

All accounting data can also be exported onto the onboard SD Card and then viewed with Microsoft Excel and processed on a personal computer.

Select NO to exit, YES to export the accounting data.



8.5 Information on using the SD Card

A. Introduction

An SD Card is a compact storage unit with variable storage capacity. All change machines of the new PRO series are equipped with an electronic board with a slot, where a SD Card supplied with the machine is already inserted. A series of files working only on PRO series change machines of the same model can be stored on the memory of the SD Card, following the procedures explained above.

B. Extracting and inserting the SD Card

The SD Card supplied is already inserted in the appropriate slot of the electronic board of the change machine.

To extract the SD Card from the slot, press it on the free side: a spring loaded system will release the card that can then be extracted.

When re-inserting the SD Card into the slot, press it until it clicks.

C. Viewing data contained in a SD Card on a Personal Computer

All various data contained in a SD Card can be viewed on a PC with Microsoft Excel.

The PC must be equipped with a standard SD Card reader, where the card must be inserted. If the PC does not have an inbuilt reader, various SD Card universal readers are available on the market, to be connected to the PC via USB cable. (Contact a local dealer for further information).

After inserting the SD Card into the reader and after the PC recognizes it correctly, access “My Computer” and select the SD Card, usually recognized as a “Mass storage device”; by clicking on it the PC will automatically recognize the file contained in the SD Card and will start a program suitable to view its contents. For example, if accounting data or the history log have been saved on the SD Card (see the “exporting accounting data” section in this manual), the data will be viewed with Microsoft Excel.

D. Importing firmware updates from a PC to the change machine

To import a firmware update onto the change machine (firmware upgrade), the update must be copied onto the SD Card using a PC; for further detail on how to read and write data onto a SD card, see the previous paragraph. Once the update has been loaded onto the SD Card, you only need to insert it into the slot of the change machine; when turned on, a special sound will warn that the upgrade has been concluded.

9. Bootloader and Firmware Upgrade

This chapter explains how to upgrade the software (Bootloader and/or firmware) on board the Twin Jolly PRO change machine.



It is not necessary to save the configuration or the accounting before making upgrades. The procedures to upgrade the Bootloader and/or Firmware will keep unchanged both the configuration and the accounting of the machine.



Since the upgrade of the Bootloader is a delicate operation, the upgrade files will be provided only upon specific request by the customer. Call the SUZOHAPP after-sales service at the following telephone number: (+39) 0295781111 to get a copy of the file.

EN

From now on, we will suppose that the customer already owns the Bootloader upgrade files and is thus able to complete the upgrade operation in complete autonomy.

Twin Jolly PRO is designed to avoid any kind of problems during the upgrade. The machine is able to perform the operation in a fast and very easy way both for the Bootloader and the Firmware.

Make sure to have at your disposal one or more of the following three alternatives before making the upgrade operation:

- One SD Card to make the upgrade of the Bootloader and/or the firmware (you can use the card already available on board the change machine).



The SD Cards available in commerce with same capacity have all the features and performances different from each other and sometimes even contrasting with the declared characteristics. Therefore, to preserve the functionality and the performances of the Twin Jolly PRO, when it is necessary, use only the SD Card approved and supplied as a spare part by Comestero.

- One built-in or external card reader connected to the PC
- Bootloader and/or firmware upgrade files
- For more information about the change machine Twin Jolly PRO, please refer to website: eu.suzohapp.com

9.1 How to upgrade Bootloader



The Bootloader upgrade operation will always involve the removal of any information regarding the machine firmware. At the end of the installation process it will always be necessary to proceed with the restoration of the firmware version previously installed on Twin Jolly PRO, as described later in this section.

To fully upgrade the machine Bootloader, you must perform the steps described in the following 15 easy steps.

- a) Remove the SD card from the SD card slot (if you don't have the card provided with the machine, you can request a new one contacting the Comestero after-sales service), and then insert it into your PC
- b) Only if you are using the SD Card onboard the machine, before copying the Bootloader upgrade file you must save all your data in any folder on your PC
- c) Format the SD card only in "FAT" mode. Other modes are not valid
- d) Copy the 2 files you can find in the Bootloader upgrade file (without renaming files and without creating any folders inside) into the SD Card
- e) Turn OFF the Twin Jolly PRO change machine and make sure that the main switch of the unit is in the OFF position
- f) When the change machine is turned off, insert the SD card containing the Bootloader upgrades inside the machine CPU slot. Always observe the orientation of the card (the side with manufacturer's label facing up) and make sure to have it properly pushed towards bottom
- g) Turn ON the machine
- h) When the machine is turned on, it will display a screen similar to the one shown in the first Figure below. On this screen, you can always check the Bootloader version (first line under the heading "Upgrader Ver 06:00:00") installed on board the change machine

- i) Press the external blue button within 5 seconds to start upgrading

Upgrader Ver. 06.00.00

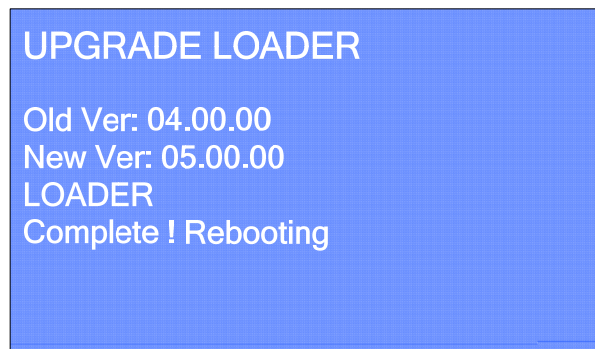
Old ver: 05.00.00
 LOADER
 Push Button to start
 Upgrading 5

- j) The upgrade will start and a screen, very similar to the one shown in Figure here on the right, will be displayed. In this way you can always check the percentage of completion of the upgrade (indicated by a progressive counter)

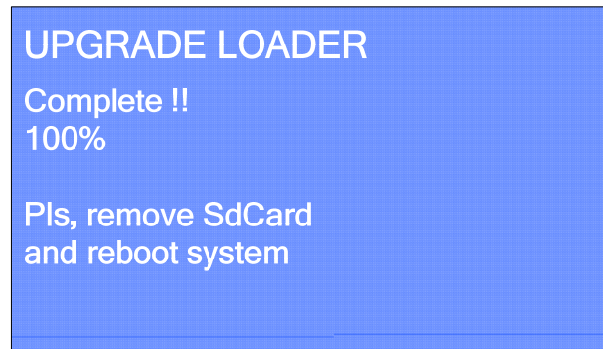
Upgrader Ver. 06.00.00

Old ver: 05.00.00
 LOADER
 Upgrading 10%

-
- k) When the upgrade is complete, the change machine will show on screen the message: "Complete! Rebooting, as shown in the Figure here on the right
 - l) The machine will reboot. Wait for the complete rebooting until you will see on display the screen shown in the Figure at point m) below

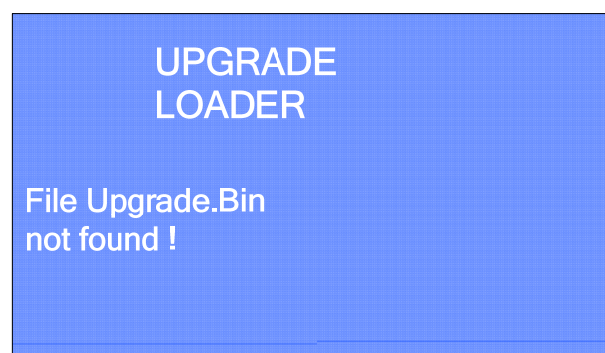


- m) If all has been successfully completed, the change machine will show on video the message "Complete !! 100% Pls, remove SD Card and reboot sistem ", as shown in the Figure here on the right



- n) Turn OFF the machine and make sure that the main switch of the unit is in the OFF position
- o) Remove the SD card containing the Bootloader upgrade from the slot and proceed with the firmware upgrade as described in the next section called "How to Upgrade Firmware"

If you failure to restore firmware of the machine after you have upgraded the Bootloader, on the display you will see a message very similar to the one shown in the Figure here on the right. In this case, turn OFF the machine and insert the SD Card containing the firmware of the Twin Jolly PRO change machine and proceed with the firmware upgrade as described in the next section.



9.2 How to upgrade Firmware

To fully upgrade the machine Firmware, you must perform the steps described in the following 17 easy steps.

- a) Remove the SD card from the SD card slot (if you don't have the card provided with the machine, you can request a new one contacting the Comestero after-sales service), and then insert it into your PC

- b) Only if you are using the SD Card onboard the machine, before copying the Firmware upgrade file you must save all your data in any folder on your PC
- c) Format the SD card only in "FAT" mode. Other modes are not valid
- d) To download the necessary files you need to upgrade your machine Firmware, go to the website and click on the Support tab.



In the event you have no internet access, you can request the necessary files contacting the SUZOHAPP after-sales service at the following telephone number: (+39) 02 95781111.

- e) Unzip the file you have just downloaded (or received by the Comestero after-sales service) in any folder on your PC
- f) Copy all the Firmware files contained in the folder (without renaming files and without creating any folders inside) into the SD Card
- g) Turn OFF the Twin Jolly PRO change machine and make sure that the main switch of the unit is in the OFF position
- h) Insert again the SD Card into its slot onboard the machine CPU. Always observe its orientation (the side with manufacturer's label facing up), and make sure to have it properly pushed towards the bottom
- i) Turn ON the machine

- j) Once you have turned on the machine, it will display a screen very similar to the one shown in Figure here on the right

Upgrader Ver. 06.00.00

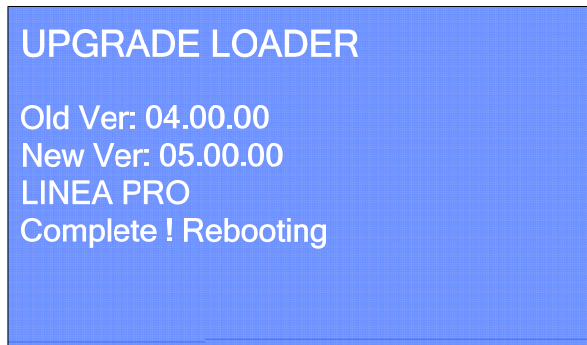
New ver: 05.00.00
LINEA PRO
Push Button to start
Upgrading 5

- k) Press the external blue button within 5 seconds to start upgrading. When the upgrading has started, you will see a screen very similar to the one shown in Figure here on the right. In this screen you can see the percentage of completion of the upgrading (its progress is indicated by a percentage of completion (%) from 0% to 100%)

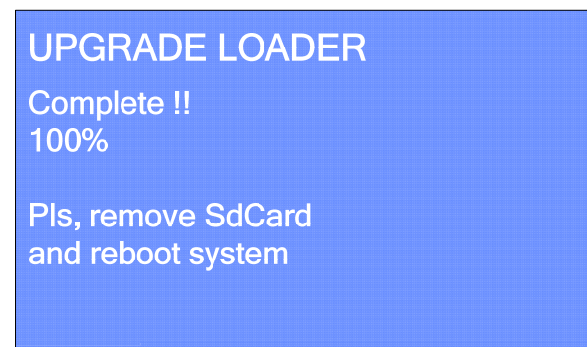
Upgrader Ver. 06.00.00

New ver: 05.00.00
LINEA PRO
Upgrading 10%

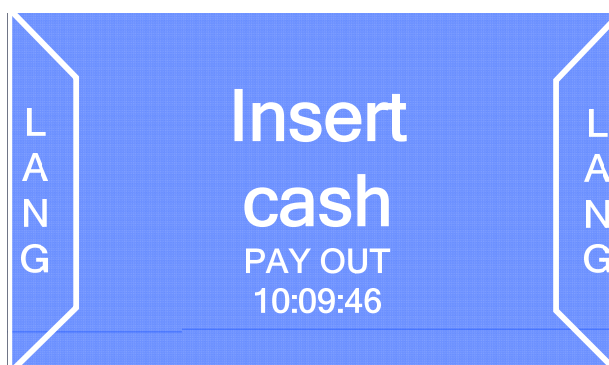
- l) At the end of upgrading, the change machine will show on the screen the message "Complete! Rebooting", as shown in the Figure here on the right
- m) Wait for the complete restart until on the machine display the screen you can see in the Figure at point n) below is shown



- n) At the end of upgrading, if the process has been successfully completed, the change machine will show on screen the message "Complete !! 100% Pls, remove SD Card and reboot system", as shown in the Figure here on the right



- o) At the end of upgrading, if there are no errors, the Twin Jolly PRO change machine will restart automatically. When completed, the screen will display the usual banknotes or coins acceptance screen, as shown in Figure here on the right



- p) Turn OFF the machine, making sure that the machine main switch is in the OFF position
- q) Remove the SD card and insert it into an SD card reader connected to a computer. Delete the file "ChangerMachine.bin" and re-insert the SD card into the machine



You must delete the "ChangerMachine.bin" file from SD Card after you have upgraded the machine Firmware, to avoid that every time you turn ON the machine it automatically starts the Firmware upgrading.

Never delete the files inside the SD Card, except for the .bin file mentioned above. In this way you will preserve all previously accounting, etc ...data saved on the card.



In the event you need help or for any other problems you are encountering not described in this section, please contact our after-sales service at the telephone number: (+39) 02 95781111.

- r) Insert the SD card into the change machine and turn ON Twin Jolly PRO without pressing any key

10. Care and maintenance



All maintenance inside the machine must be carried out when the power supply has been switched OFF.



Follow the warnings carefully so that the machine is always in the best operating conditions, preventing dangerous situations or situations which would render the warranty null and void.

10.1 External maintenance and cleaning

Clean the exterior surface of the machine; use a damp cloth with water or a mild cleaning solution.

Do not use aggressive chemical solvents that may damage the finishing of the machine.

Do not dip or expose the machine directly to water or liquids of any nature. Do not use machine with jets of water (hydro-cleaners) to clean the machine.

Periodically check the surface of the machine, taking particular care to the areas that could be dangerous for the user due to normal operating conditions or wilful damage (sharp or bent metal sheets, rust, etc.)

See the section 13 to order any replacement parts.

10.2 Internal maintenance and cleaning

Clean the machine interior with a damp cloth; use only compressed air to clean the electronic components.

Periodically check the connections of each cable and check that the peripheral connection cables are not frayed or excessively bent.

If any unusual situation is noticed with regard to cables and connectors, immediately replace them seeing section 13 for the spare parts list.

10.3 Inactivity periods

We recommend turning the machine off by means of the main power switch located inside the case for short inactivity periods when the machine will not be used for two or three days.

For long inactivity periods, when the machine will not be used for long periods of time, we suggest unplugging the machine from the power grid, removing the power plug from the wall socket.

Protect the machine from dust, covering it with a drape and store it in a dry and ventilated area.

For models equipped with removable hopper, if the machine is left in plain place, we recommend leaving the cash box door completely open and remove the cash box and the hopper, with their content, from the change machine (Fig. 12).

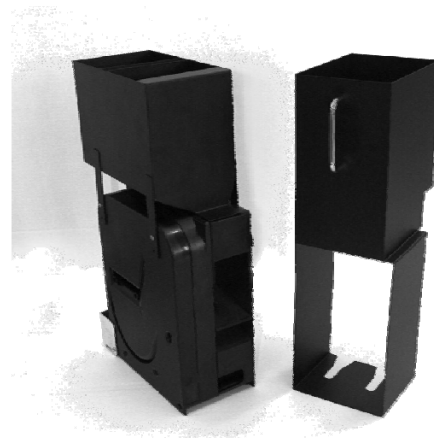


Fig. 12

EN

11. Diagnostic and technical support

This section presents the main faults that can be noticed during operations and the corresponding possible solutions to minimise or completely eliminate any need for machine shutdown.



If the fault is not among those listed below or if it is there but the suggested solution does not solve the issue, call our after-sale service at the following number: +39 02 95781111.

Issue	Solution
Empty hopper message although the hopper is apparently loaded.	Make sure that the level of coins in the hopper is sufficient to cover the metal plates located on the bottom of the coin collection compartment.

Make sure that the connections between the hopper and the hopper slide are correct, by pushing the hopper toward the back of the cabinet.

Clean the metal plates located on the bottom of the coin collection compartment with a metal brush. Then wipe the plates with a soft cloth soaked in alcohol.

Issue	Solution
The machine is on but the banknote reader does not accept credits.	<p>Check that there are no banknotes jammed on the bottom of the reader.</p> <p>Check that the level of banknotes in the cash box is not such as to hinder the fall of banknotes at the reader output.</p>
The machine accepts banknotes but does not add them to the credit.	<p>Check that the level of banknotes in the cash box is not such as to hinder the fall of banknotes at the reader output.</p> <p>Check that the denomination of the banknote inserted is set up in the banknote value table (see section 8.3).</p>
Banknotes are inside the hopper.	Remove the cash box and insert it again so that it is fully adherent to the hopper (push the cash box to the back of the cabinet).
Poor acceptance of banknotes by the reader.	<p>Remove the reader and open it, clean the upper and lower part of the LED sensors with a wet cloth.</p> <p>Check that the reader closes perfectly.</p>

12. Technical specifications

Dimensions (l x h x w) [mm]:	1450x460x340
Weight [Kg]:	Approximately 55
Power supply [V / Hz]:	230 / 50
Power consumption [VA]:	60
Hopper coin capacity:	Approximately 6,800 (sample coin 1€)
Cash box coin capacity:	Approximately 10,000 (sample coin 1€)

Installed peripherals

Electronic coin mechanism:	Comestero RM5 HD (optional)
Banknote reader:	Innovative Technology NV10
Hopper:	Hopper Suzo Evolution (x2)

13. Spare parts

Just alike to the parts to be replaced, our spare parts are in compliance with manufacturing specifications, and they guarantee with time optimum performance and reliability, satisfying all industry regulations for which they are designed.



For further information about this spare parts list, please call our after-sales service at the following number: (+39) 02 95781111.

To provide a fastest way to search for spare parts and to facilitate the work of our technicians, it is necessary to provide the following information to the SUZOHAPP after-sales service:

- Model, type and serial number of the machine
- Code number, name and quantity of parts you intend to order

The following list applies to all configurations in which Twin Jolly PRO change machine is produced and sold.

EN

13.1 Twin Jolly PRO general assembly

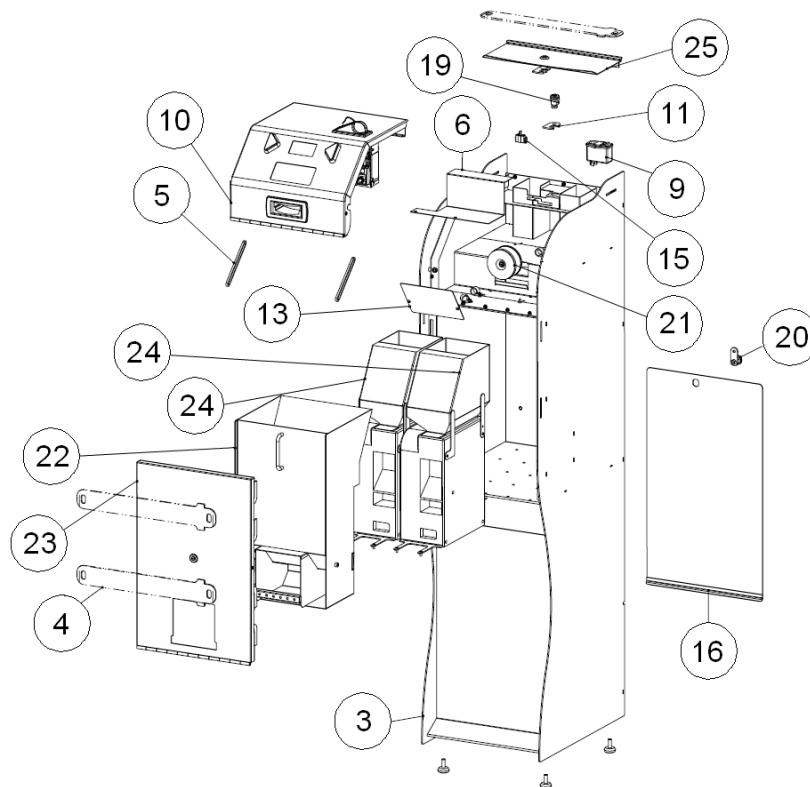


Fig. 13

POSITION	CODE	DESCRIPTION
3	C20---11712-C	CABINET TWIN JOLLY Ver. C
4	1058-20-0007-B	SAFETY BEAM – NEXUS / TWIN JOLLY
5	C20---11506-B	ROD TO SUPPORT BONNET Ver. B
6	1044-20-0004-A	CARTER FOR TRANSFORMER
9	Z/DC-FILTRO	MAINS FILTER WITH TWO FUSES
10	1044-30-0201-A	BONNET GROUP WITH COIN MECHANISM
11	C20---11708	STAKE FOR BONNET LOCK
13	C20---11714-B	ANTI STATIC PLATE Ver. B
15	C33-M403-SI1	FUSE BOX 1 POLE WITH FIXING HOLE
16	C20---11711-A	GLASS COMPARTMENT DOOR Ver. A
19	SMINI6KD/2	CIPHERED MINI 6 LOCK
20	SCT17KD	TUBULAR LOCKS 17 MM KD

21	1041-40-0001-A	TOROIDAL WIRED TRANSFORMER
22	I-30-1044-G	TWIN JOLLY – CASH GROUP
23	I-30-1044B-A	TWIN JOLLY – CASH DOOR
24	I-30-1044-M	TWIN JOLLY – HOPPER WITH FIXED SLIDE
25	I-30-1044F	TWIN JOLLY – TRAY GROUP

13.2 Bonnet group with coin mechanism (Cod. 1044-30-0201-A)

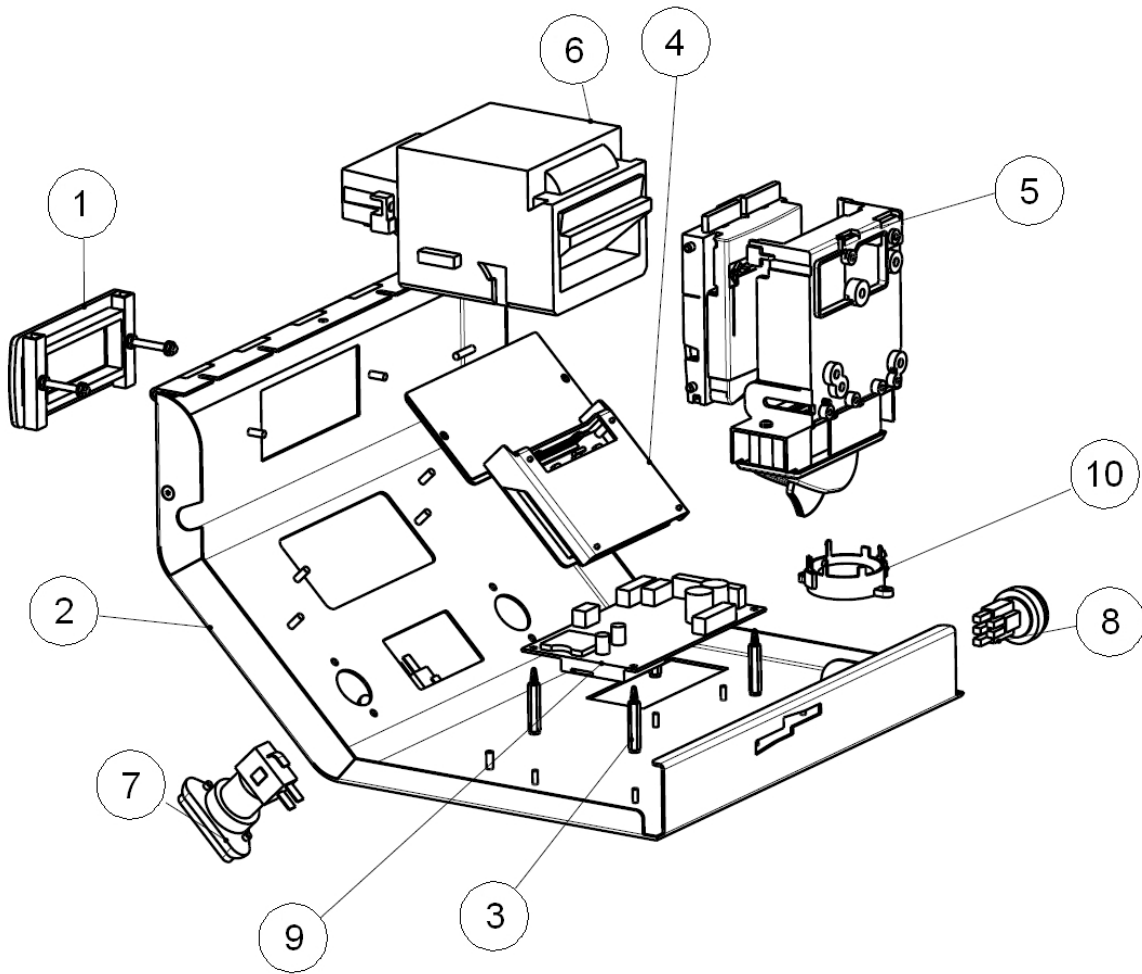
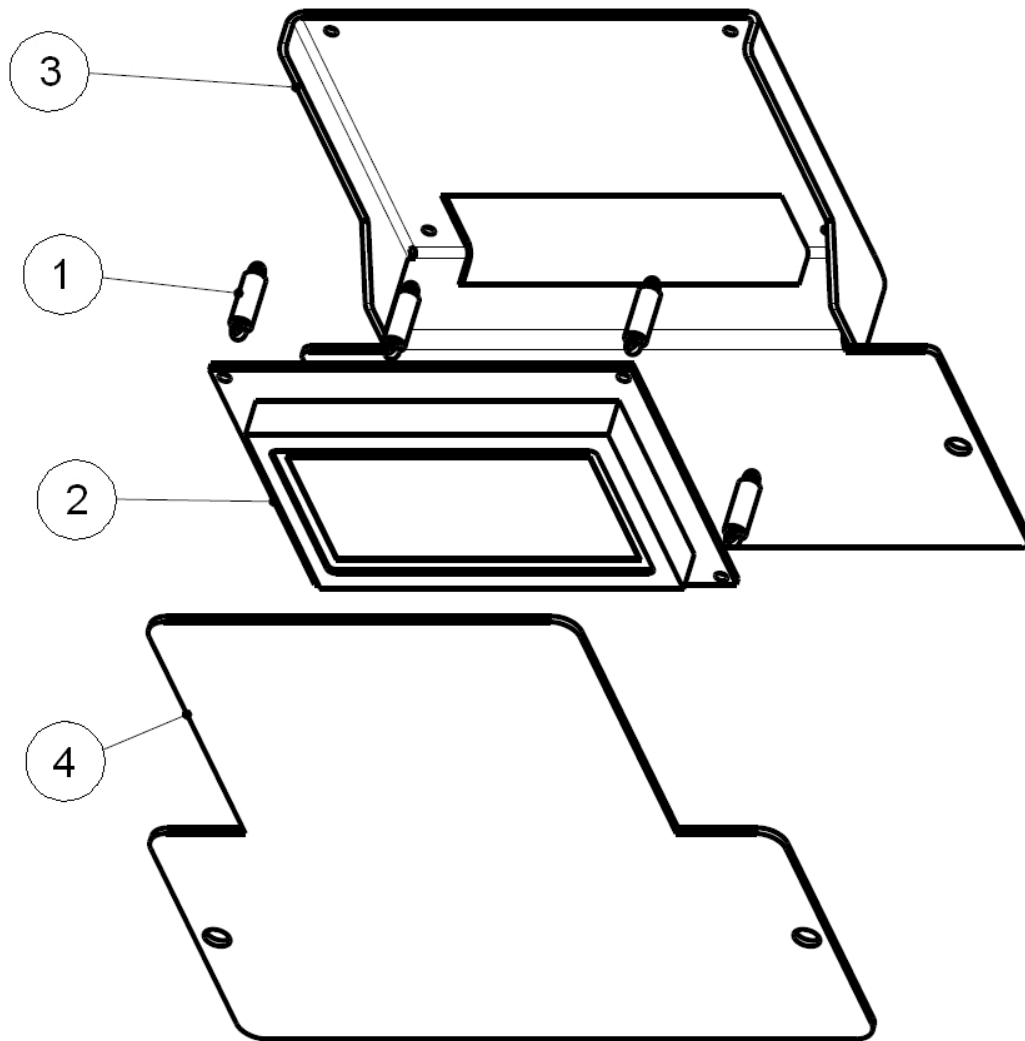


Fig. 14

POSITION	CODE	DESCRIPTION
1	***	NV10 BEZEL
2	1044-20-0003-B	BONNET
3	C7-TCBN-T1-M3-6	SPACER FOR TCBN-T1-M3-6-30 BOARD
4	1041-30-0200-A	DISPLAY 128x64 GROUP
5	1041-30-0300-A	COIN MECHANISM GROUP
6	LS/NV10/E2-CCT-ENCRY	NV10 BANKNOTES READER
7	P500/A01B8TRBL	TRIANGULAR BUTTON WITH BLUE LED
8	P500/A0146/A-V	CHROMED GREEN BUTTON
9	2051400000047A-EASY	MCB1 fw 02.03.01 – EASY – DUAL – JOLLY – TWIN BOARD
10	CA33KPEG182-LAV	BUZZER 100dB 12V 3.0KHz KINGSTATE

13.3 Display 128x64 group (Cod. 1041-30-0200-A)



EN

Fig. 15

POSITION	CODE	DESCRIPTION
1	RICHCO-MDLSP1-12M-01	SPACER FOR MDLSP1-12M-01 BOARD
2	CA16LCDWG12864B	WHITE/BLUE GRAPHIC 128X64 MM
3	1041-20-0002-A	FIXING BRACKET FOR DISPLAY
4	1041-20-0003-A	DISPLAY GLASS AND INSTRUCTIONS

13.4 Coin mechanism group (Cod. 1041-30-0300-A)

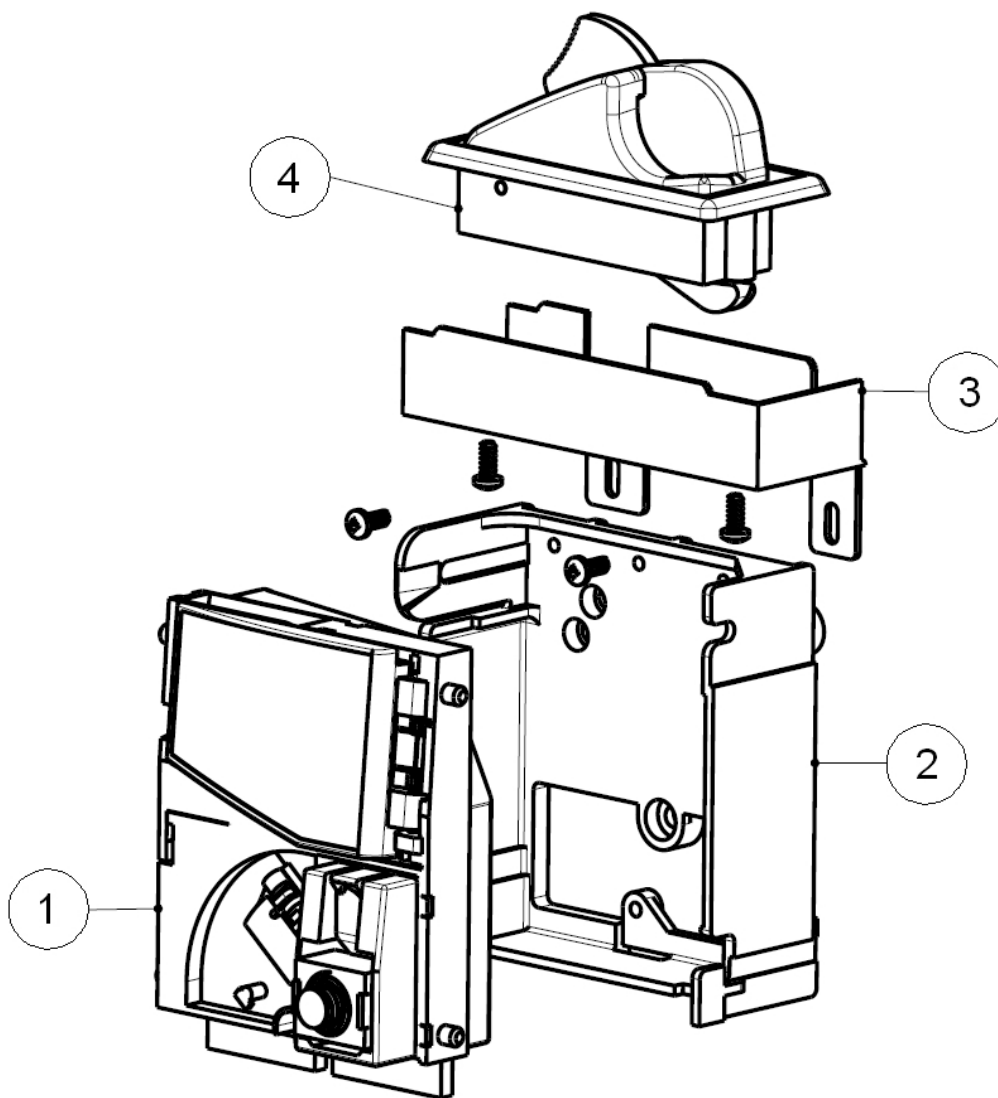
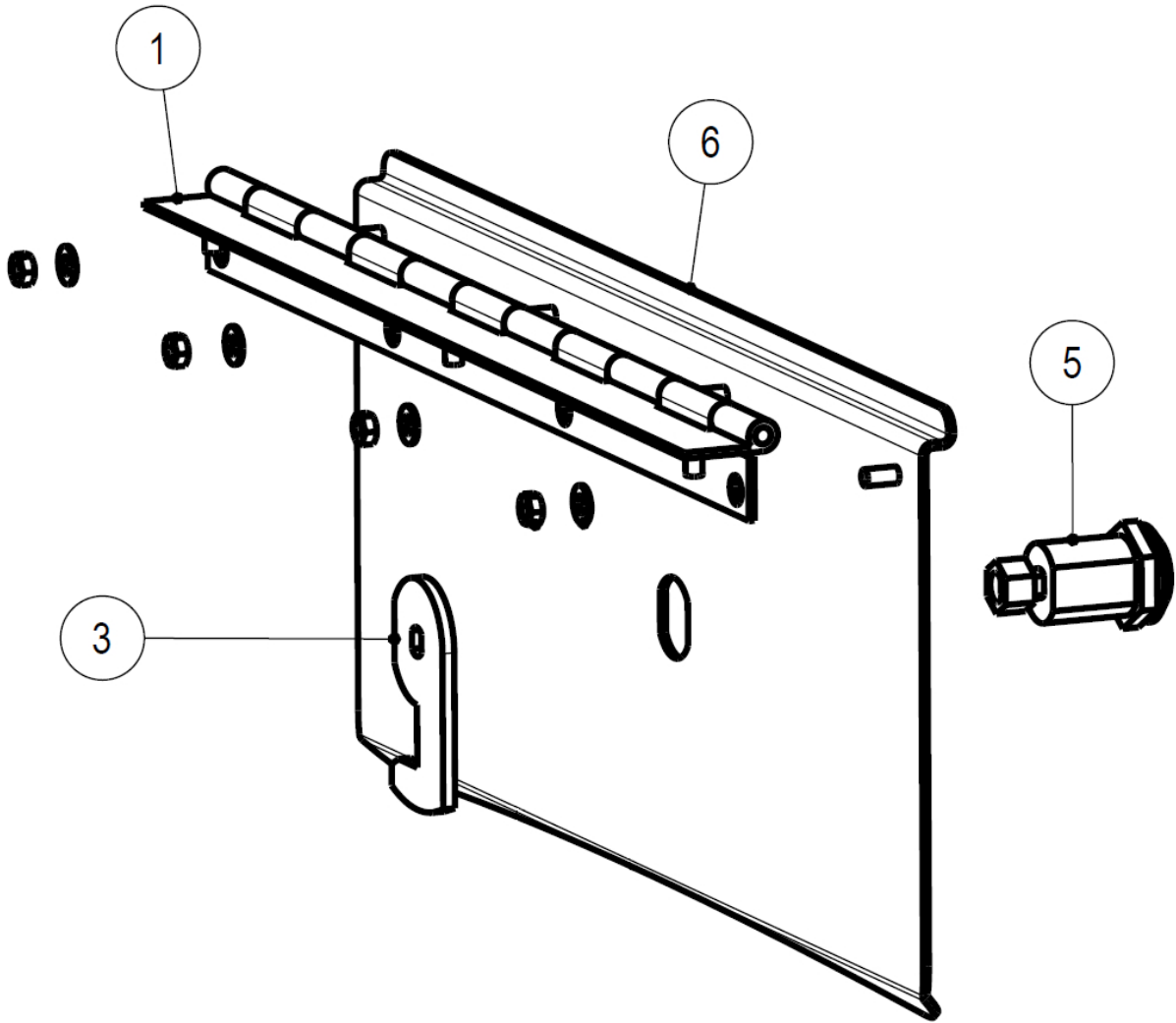


Fig. 16

POSITION	CODE	DESCRIPTION
1	20505000000147A	UNIVERSAL ASSEMBLED COIN MECHANISM RM5HD G 32.5
2	RMGRSUP/U/EL	“U” SUPPORT FOR COIN MECHANISM
3	RM/SUP-ADJP-MET	TOP COIN ADJ plane SUPPORT
4	RM/TOP/ADJP-C	TOP COIN ENTRY ADJACENT

13.5 Tray group (Cod. I-30-1044-F)



EN

Fig. 17

POSITION	CODE	DESCRIPTION
1	C20---11713-B	TRAY HINGE Ver. B
3	C20-11734	STAKE FOR NEXUS BONNET LOCK
5	SCT29KD	TUBOLAR LOCK
6	C20---11704-A	TRAY Ver. A

13.6 Cash door (Cod. I-30-1044B-A)

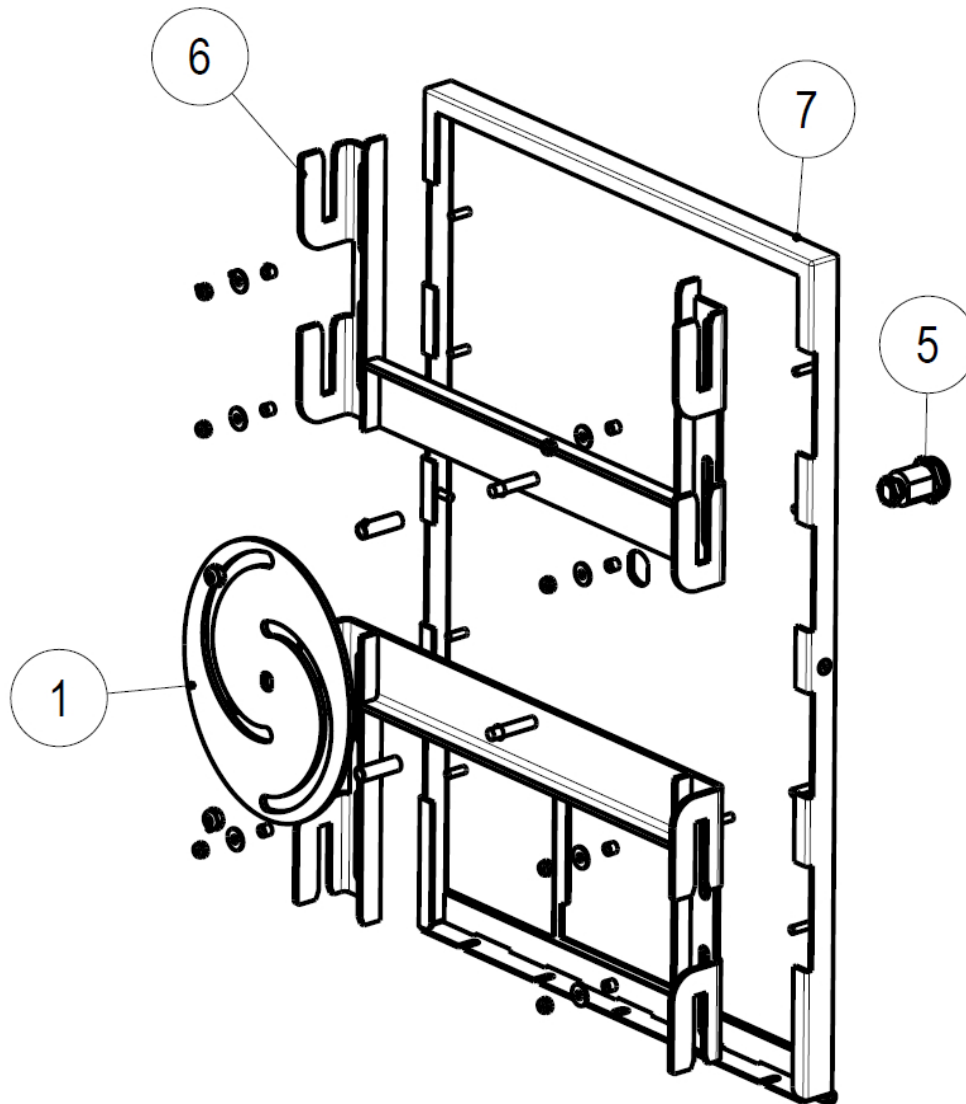
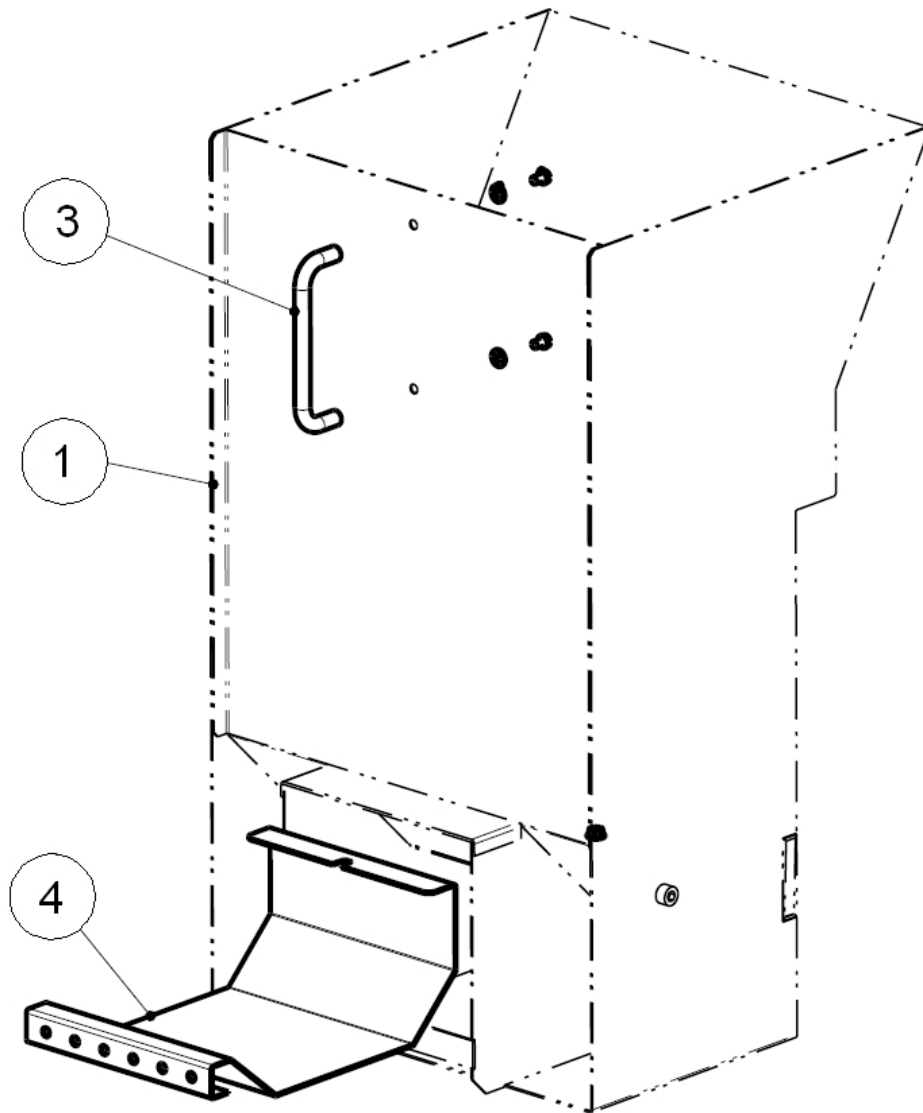


Fig. 18

POSITION	CODE	DESCRIPTION
1	C20---11721	CASH CLOSURE CAM
5	SMINI6KD/2	MINI 6 LOCK
6	C20---11722-A	CASH CLOSING SLIDE VER. A
7	C20---11723-B	CASH DOOR VER. B

13.7 Cash group (Cod. I-30-1044-G)



EN

Fig. 19

POSITION	CODE	DESCRIPTION
1	C20---11730-D	TWIN / FOUR / NEXUS CASH Ver. D
3	C6-401/2	HANDLE
4	C20---11724-A	COINS WITHDRAWAL Ver. A

13.8 Hopper with fixed slide (Cod. I-30-1044-M)

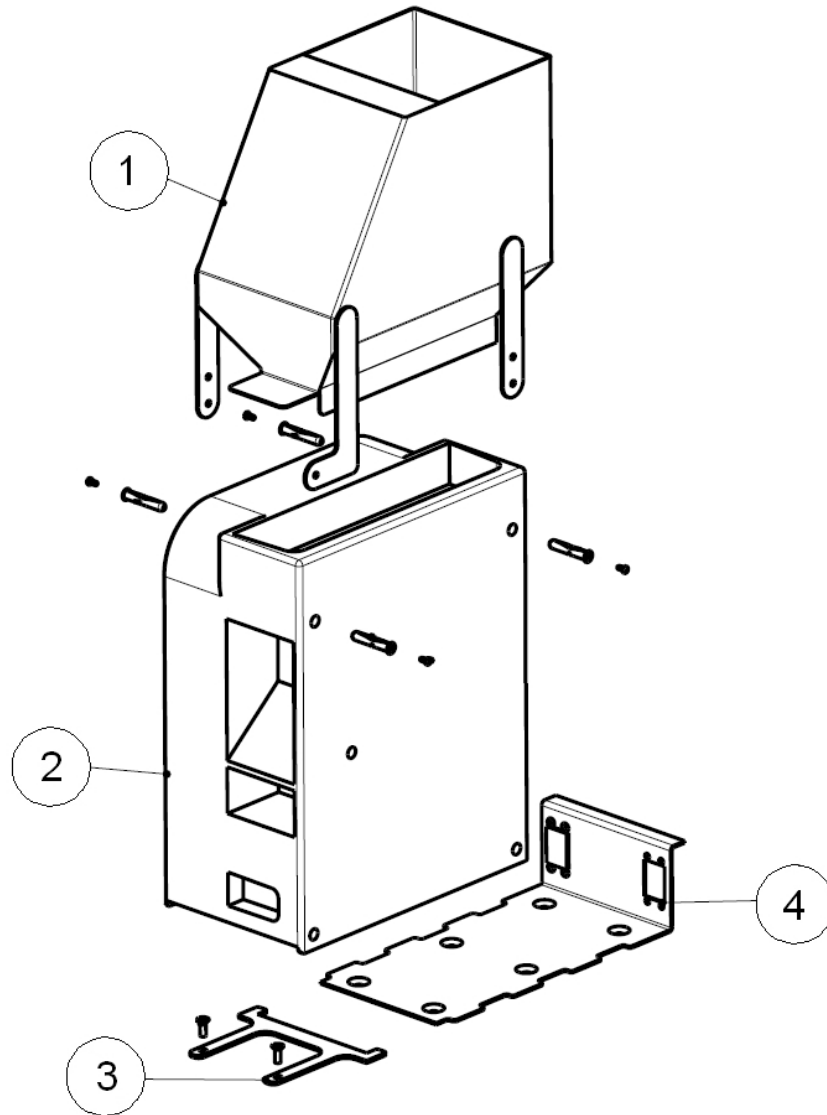
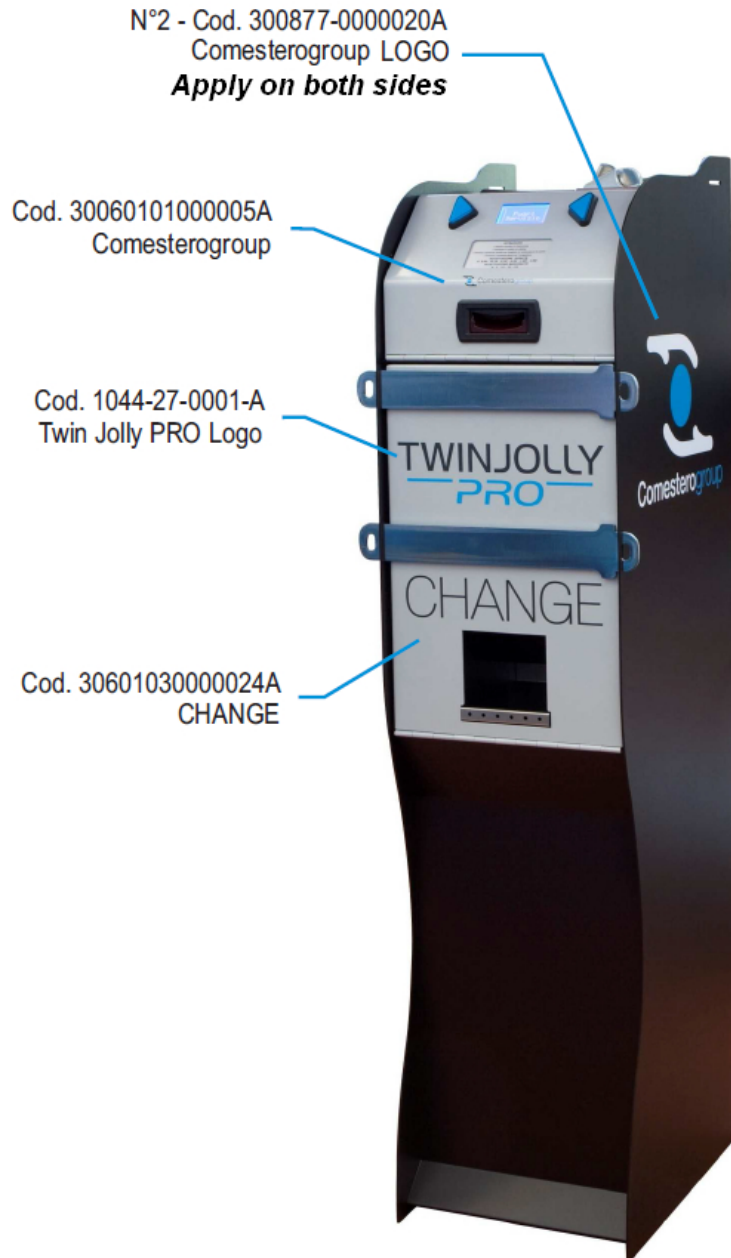


Fig. 20

POSITION	CODE	DESCRIPTION
1	C20---11732-A	HOPPER EXTENSION
2	EV02000	HOPPER
3	C20---11733-C	HOPPER LOCKING PLATE Ver. C

4	20201000000021A	CABLED SLIDE HOPPER
---	-----------------	---------------------

13.9 Silkscreen



EN

Fig. 21

13.10 Small Parts group (Cod. C6-V-J)

CODE	DESCRIPTION
V/S-HG-8	RUBBER CABLE CLAMP EHG-8
C11-1011-24	EMKA 1011-24 WASHER
C6-NBT010-H21-6	SOCKET H21 M6 FOR TRANSFORMER
C6DADO4-DIN985	SELF LOCKING NUT M4 - DIN 985 ZINC-COATED
C6DADOI985M6---	HEXAGONAL AUTO BRAKE NUT M6 - DIN 985 ZINC.
C6DADO4-DIN1587	CAP NUT (DIN 1587) M4
C6DADO03ZB-----	HEXAGONAL NUT M3 – ZINC-COATED
C6DADO4-BN860	FLANGED NUT M4 -ISO4161
V/S-FASCETTE	CABLE TIES MADE IN NYLON RG 205
V/S-EXWHC-250	CABLE CLAMP EXWHC-250
V/S-EXWHC-500	CABLE CLAMP EXWHC-500
V/S-WHC-062501	CABLE CLAMP WHC-062501
C6RONDENT04----	SERRATED LOCK WASHER M4 (DIN 6798)
C6RONDPIANA03--	PLAIN WASHER FOR M3 - UNI 6592 ZINC COATED
C6RONDPIANA04--	PLAIN WASHER FOR ø4 SCREWS – UNI 6592 ZINC-COATED
C6RONDPIANA04-L	PLAIN WASHER WIDE BAND FOR ø4x12 SCREWS – UNI 6593 ZINC-COATED
C6TS-FU6X35	NYLON PLUG FU 6x35
C6-T-55-75-4	LITTLE TUBE 5,5x0,75x4
C6-T-6-5-4	LITTLE TUBE ext. diam. 6, int. diameter 4, height 5

C6-T-8-26-6	LITTLE TUBE ext. diam. 8, int. diameter 6, height 26
C6AF-TCC3,9X19	SCREW TCC 3,9x19
C6AF-TCC3,9X9,5	SCREW TCC 3,9x9,5 p.t.
C6TBM4X12	ALLEN SCREW M4x12

CODE	DESCRIPTION
C6TBM4X16	ALLEN SCREW M4x16
C6TCC03X06-----	PAN HEAD SCREW M3x6 – ISO 7045 ZINC-COATED
C6TCC04X06	PAN HEAD SCREW M4x6 – ISO 7045
C6TCC06X16	PAN HEAD SCREW M6x16 – ISO 7045
C6TSC03X08	COUNTERSUNK FLAT HEAD SCREW M3x8 – ISO 7046 ZINC COATED
C6TSC04X12	COUNTERSUNK FLAT HEAD SCREW M4x12 – ISO 7046 ZINC COATED
C11-23-1-12X6	AUTO ADAPTATION SEAL MADE IN EXPANDABLE POLYESTER 12x6

EN

13.11 Wiring group (Cod. 1044-30-0400-A)

CODE	DESCRIPTION
1041-40-0001-A	CABLED TRANSFORMER JOLLY – TWIN PRO
1041-40-0002-B	JOLLY PRO DISPLAY CABLE REV. B
1000-40-0036-A	CABLE ADAPTER DISPLAY EASY/DUAL/JOLLY/TWIN JOLLY PRO SMART EASY
1041-40-0003-A	CCTALK SERIAL CABLE FOR RM5 HD JOLLY ADVANCE
1041-40-0004-A	JOLLY ADVANCE NV10 CCTALK CABLE
1041-40-0005-A	JOLLY / TWIN ADVANCE CPU SLIDE CABLE
1041-40-0006-A	JOLLY ADVANCE BUTTONS CABLE
1041-40-0007-A	JOLLY ADV. LIGHTING BUTTONS CABLE
C4-22-11594	JOLLY CABINET – BONNET GROUND CABLE
C4-22-11788	JOLLY / TWIN PRO ANTISTATIC CABLE

1019-40-0009-B

BUZZER CABLE REV. B

14. Appendixes

14.1 Decommissioning and disposal

At the end of its life the product must be decommissioned and sent to a disposal centre.

Remove the machine from its installation place, empty all coins and remove the power cable. Contact Comestero to collect the decommissioned machine. Call the following telephone number: (+39) 02 95781111

It is mandatory to dispose the machine pursuant to Legislative Decree 25/07/2005 no. 151.



Please read the following information carefully.

Since December 31, 2006, precise criteria have been established with regard to the Disposal of Waste Electronic and Electrical Equipment (WEEE), with the purpose of protecting the environment.

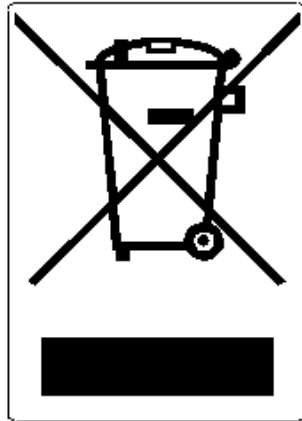
These machines fall within the scope of legislative decree 151/2005 annex 1B article 2 section 1, since they are:

- 7.6 Coin / token machines
- 10.2 Automatic dispensers of cash or products

In brief:

- These machines must not be disposed of as normal waste but rather be separately collected
- Dealers will collect used machines for free, then they will send them to specialised collection centres so that they can be correctly disassembled and any reusable material can be recycled
- Collection centres for waste electronic and electrical equipment (WEEE) have been created. Users can return used machines to their dealers when a new, equivalent machine is purchased

-
- These machines or their parts are potentially harmful for the environment and human health if used incorrectly or if not disposed of pursuant to the present procedure, due to some substances being present in the electronic components
 - The symbol representing a crossed-out trash bin, well visible on these machines, means without doubts that the machine has entered the market after August 13, 2005 and that it must be collected separately



The following sanctions are established if this waste is disposed of unlawfully:

1. Pursuant to article 6, section 1, letter b), a dealer that does not accept the return of a used electrical or electronic equipment for free will incur a monetary sanction of Euro 150 to Euro 400 for each device that is not accepted or is accepted for a fee
2. A manufacturer that does not organise a separate collection system for professional WEEE as per article 6 - section 3 and a system for returning and sending, treating and recycling the WEEE, pursuant to articles 9 - section 1 and 9 - section 1, 11 - section 1 and 12, sections 1, 2 and 3, without prejudice to the agreements signed pursuant to article 12 - section 6, will incur a monetary sanction of Euro 30,000 to Euro 100,000
3. A manufacturer that after August 13, 2005 does not provide the financial guarantee established by article 11 - section 2 or 12 - section 4 when the electrical or electronic device enters the market, will incur a monetary sanction of Euro 200 to Euro 1,000 for each device which enters the market
4. A manufacturer that does not provide instructions for the use of WEE pursuant to article 13- section 1 will incur a monetary sanction of Euro 200 to Euro 5,000
5. A manufacturer that, within one year from the launch on the market of any new WEE, does not provide the instructions pursuant to article 13- section 3 to re-use centres and treatment and recycling plants will incur a monetary sanction of Euro 5,000 to Euro 30,000
6. A manufacturer that after August 13, 2005 launches on the market WEE without the identification or symbol set out by article 13 - sections 4 and 5 will incur a monetary sanction of Euro 200 to Euro 1,000 for each device that enters the market. The same monetary sanction applies if the identification or symbol is not conforming with the requirements set out by article 13, sections 4 and 5

7. A manufacturer that launches on the market a WEE without being registered with the Chamber of Commerce pursuant to article 14- section 2 will incur a monetary sanction of Euro 30,000 to Euro 100,000
8. A manufacturer that does not communicate the information established by article 13, sections 4 3 5 to the national register of subjects obliged to dispose of WEEE within the terms established by article 13, section 8, will be subjected to the foreseen sanctions
9. With the exceptions set out by article 5 section 2, everyone that after July 1, 2006 launches on the market WEE containing substances listed in article 5, section 1 or further substances identified pursuant to article 18, section 1, will incur a monetary sanction of Euro 50 to Euro 500 for each device that enters the market or of Euro 30,000 to Euro 100,000

**EMA Headquarters**

Antonie van Leeuwenhoekstraat 9
3261LT Oud-Bijerland The Netherlands
P +31 (0) 186 643333
F +31 (0) 186 643322
Info.nl@suzohapp.com

NCS Headquarters

1743 Linneman Rd
Mount Prospect IL 60056 USA
P +1 (847) 593 6130
F +1 (800) 593 4277
info@suzohapp.com

APA Headquarters

44-48 Rocco Drive, Scoresby
Victoria Australia 3179
P +61 3 9757 5000
F +61 3 9763 7265
info@suzohapp.com.au

suzohapp.com

For more information:**SuzoHapp Netherlands B.V.**

Antonie Van Leeuwenhoekstraat 9
3261 LT Oud-Beijerland - The Netherlands
Phone: (+31) 186 64 33 33 - Fax: (+31) 186 64 33 32
sales.nl@suzohapp.com